

## TEST REPORT

Report No : A32002183(8) Date: 2026-03-19

Application No : L3201521(3)

Applicant : MATADOR SPIELWAREN GMBH  
SPORTPLATZSTRASSE 21, 3388 MARKERSDORF, AUSTRIA

Factory : MATADOR SPIELWAREN GMBH  
SPORTPLATZSTRASSE 21, 3388 MARKERSDORF, AUSTRIA NA

Sample Description : The submitted sample(s) stated to be :

Sample	Product Name	Model No.
A	Matador Explorer E099	11099
B	Matador Explorer E222	11222
C	Matador Explorer E318	11318
D	Matador Explorer E407	11407
E	Matador Explorer E717	11717
F	Matador Explorer EXL	11151

No. of Sample(s) submitted : 2 pcs per style  
 Labelled Age Grade : 5+  
 Appropriate Age Grade : Over 5 years of age  
 Tested Age Grade : Over 5 years of age  
 Country of Origin : China  
 Country of Destination : US

Date Received : 2026-02-25. 2026-03-11. 2026-03-17.

Test Period : 2026-02-25 to 2026-03-18.

Test Requested	<u>Test Item</u>	<u>Result</u>
I.	ASTM F963-23 Standard of Consumer Safety Specification for Toy Safety : - Physical and Mechanical Tests - Flammability Test	Passed Passed

For and on behalf of  
Yubiao Testing and Certification Laboratory (Shenzhen) Limited

Authorized Signature :  \_\_\_\_\_ 

Ouyang Jingde / Samuel Deputy Manager      Wang Daoqin / Star Deputy Manager





# TEST REPORT

Report No : A32002183(8)

Date: 2026-03-19

Application No : L3201521(3)

Test Requested	Test Item	Result
	- 4.3 Toxicology	
	- 4.3.5 Heavy Elements	
	- 4.3.5.1 Paint and Similar Surface-coating Materials	Passed
	- 4.3.5.2 Toy substrate Materials	Passed
	- 4.3.6 Cleanliness of Cosmetics, Liquids, Pastes, Putties, Gels, Powders, and Items of Avian Feather Origin	
	- 4.3.6.3 Cleanliness of Materials	Not Applicable
	- 4.3.8 Phthalates	Passed
II.	U.S. Consumer Product Safety Commission (CPSC) Regulations	
	- 16 CFR 1500.48 - Sharp points	Passed
	- 16 CFR 1500.49 - Sharp edges	Passed
	- 16 CFR 1501 - Small parts	Not Applicable
	- 16 CFR 1500.3(c)(6)(vi) - Flammable solid	Passed
III.	U.S. Consumer Product Safety Improvement Act of 2008 (CPSIA) - Sec. 103 : Tracking Labels for Children's Products	Passed
IV.	U.S. Consumer Product Safety Improvement Act of 2008 - Sec. 101: Children's Products Containing Lead; Lead Paint Rule	Passed
V.	U.S. Consumer Product Safety Commission (CPSC) Regulation- 16 CFR Part 1303 Ban of Lead - Containing Paint and Certain Consumer Products Bearing Lead - Containing Paint	Passed
VI.	U.S. Consumer Product Safety Commission (CPSC) Regulation- 16 CFR Part 1307 - Prohibition of Children Toys and Child Care Articles Containing Specified Phthalates	Passed

Test Result : Refer to the result pages for details.

Remark : The submitted samples were requested by the client to be tested in composite form. The results for composite test part(s) are calculated based on the total weight.

For and on behalf of  
Yubiao Testing and Certification Laboratory (Shenzhen) Limited

Authorized Signature :

Ouyang Jingde / Samuel  
Deputy Manager

Wang Daoqin / Star  
Deputy Manager

QP-30-02f A/3 2024-07-01

Page 2 of 16

This document is issued subject to the latest CMA Testing General Terms and Conditions of Testing and Inspection Services, available on request or accessible at website [www.cmateesting.com.cn](http://www.cmateesting.com.cn). This document shall not be reproduced except in full without written approval by CMA Testing. The results apply to the sample as received unless otherwise specified. The observations and test results in this report are relevant only to the sample tested. There was no verification on the validity of the information provided by the applicant.

Yubiao Testing and Certification Laboratory (Shenzhen) Limited

Address: 5/F, Block 2, Runheng Electronic Park/Runheng-dingfeng High-tech Industrial Park, Liuxian 2nd Road, Xin'an Subdistrict, Bao'an District, Shenzhen, Guangdong, China.  
Tel: (86) 755 8835 0808 Fax: (86) 755 8835 1430 E-mail: [info.sc@cmateesting.org](mailto:info.sc@cmateesting.org) Web Site: <http://www.cmateesting.com.cn>



## TEST REPORT

Report No : A32002183(8)

Date: 2026-03-19

Application No : L3201521(3)

Test Result :

### **I. ASTM F963-23 Standard of Consumer Safety Specification for Toy Safety**

<u>Clause</u>	<u>Title/Description</u>	<u>Remark*</u>
4.1	Material Quality – Visual Inspection	Passed
4.2	Flammability	Passed (refer to Appendix for details)
4.3	Toxicology	
4.3.5	Heavy Elements	
4.3.5.1	Paint and Similar Surface-coating Materials	Passed (See Result Page)
4.3.5.2	Toy substrate Materials	Passed (See Result Page)
4.3.6	Cosmetics, Liquids, Pastes, Putties, Gels, Powders, and Items of Avian Feather Origin	
4.3.6.3	The cleanliness of these products used in toys and their ingredients shall be determined	NA
4.3.7	Stuffing Materials	NA
4.3.8	Phthalates	Passed (See Result Page)
4.5	Sound-producing toys	NA
4.6.1	Small objects (for children under 36 months) 16 CFR 1501	NA
4.6.2	Mouth-actuated toys	NA
4.6.3	Small objects labeling requirement	Passed
4.7	Accessible edges 16 CFR 1500.49 Sharp metal or glass edges	Passed
4.8	Projections	Passed
4.9	Accessible points 16 CFR 1500.48 Sharp points	Passed
4.10	Wires or rods	NA
4.11	Nails and fasteners	Passed

QP-30-02f A/3 2024-07-01

Page 3 of 16

This document is issued subject to the latest CMA Testing General Terms and Conditions of Testing and Inspection Services, available on request or accessible at website [www.cmatesting.com.cn](http://www.cmatesting.com.cn). This document shall not be reproduced except in full without written approval by CMA Testing. The results apply to the sample as received unless otherwise specified. The observations and test results in this report are relevant only to the sample tested. There was no verification on the validity of the information provided by the applicant.

Yubiao Testing and Certification Laboratory (Shenzhen) Limited

Address: 5/F, Block 2, Runheng Electronic Park/Runheng-dingfeng High-tech Industrial Park, Liuxian 2nd Road, Xin'an Subdistrict, Bao'an District, Shenzhen, Guangdong, China. Tel: (86) 755 8835 0808 Fax: (86) 755 8835 1430 E-mail: [info.sc@cmatesting.org](mailto:info.sc@cmatesting.org) Web Site: <http://www.cmatesting.com.cn>



## TEST REPORT

Report No : A32002183(8)

Date: 2026-03-19

Application No : L3201521(3)

Test Result :

<u>Clause</u>	<u>Title/Description</u>	<u>Remark*</u>
4.12	Plastic film	NA
4.13	Folding mechanisms and hinges	NA
4.14	Cords, straps, and elastics	NA
4.15	Stability and over-load requirements	NA
4.16	Confined spaces	NA
4.17	Wheels, tires, and axles	Passed
4.18	Holes, clearance, and accessibility of mechanisms	NA
4.19	Simulated protective devices (such as helmets, hats, and goggles)	NA
4.20	Pacifiers	NA
4.21	Projectile toys	NA
4.22	Teethers and teething toys	NA
4.23	Rattles 16 CFR 1510	NA
4.24	Squeeze toys	NA
4.25	Battery-operated Toys	NA
4.26	Toys intended to be attached to a crib or playpen	NA
4.27	Stuffed and beanbag-type toys	NA
4.28	Stroller and carriage toys	NA
4.29	Art Materials Remark: Test result of Clause 4.29 only conduct on Labeling review.	NA (See Remark)
4.30	Toy gun marking	NA
4.31	Balloons 16 CFR 1500.19	NA
4.32	Certain toys with nearly spherical ends	NA
4.33	Marbles 16 CFR 1500.19	NA
4.34	Balls	NA

QP-30-02f A/3 2024-07-01

Page 4 of 16

This document is issued subject to the latest CMA Testing General Terms and Conditions of Testing and Inspection Services, available on request or accessible at website [www.cmateesting.com.cn](http://www.cmateesting.com.cn).

This document shall not be reproduced except in full without written approval by CMA Testing. The results apply to the sample as received unless otherwise specified. The observations and test results in this report are relevant only to the sample tested. There was no verification on the validity of the information provided by the applicant.

Yubiao Testing and Certification Laboratory (Shenzhen) Limited

Address: 5/F, Block 2, Runheng Electronic Park/Runheng-dingfeng High-tech Industrial Park, Liuxian 2nd Road, Xin'an Subdistrict, Bao'an District, Shenzhen, Guangdong, China.

Tel: (86) 755 8835 0808 Fax: (86) 755 8835 1430 E-mail: [info.sc@cmateesting.org](mailto:info.sc@cmateesting.org) Web Site: <http://www.cmateesting.com.cn>



## TEST REPORT

Report No : A32002183(8)

Date: 2026-03-19

Application No : L3201521(3)

Test Result :

<u>Clause</u>	<u>Title/Description</u>	<u>Remark*</u>
	16 CFR 1500.18(a)(17) / 16 CFR 1500.19	
4.35	Pompoms	NA
4.36	Hemispheric-shaped objects	NA
4.37	Yo Yo elastic tether toys	NA
4.38	Magnets	NA
4.39	Jaw entrapment in handles and steering wheels	NA
4.40	Expanding Materials	NA
4.41	Toys Chests	NA
5	Labeling requirements	
5.1.2	Tracking Label requirements	Passed (See Remark)
5.2	Age Grade Labeling	Passed
5.3	Safety labeling requirements	Passed
5.4	Aquatic toys	NA
5.5	Crib and playpen toys	NA
5.6	Mobiles	NA
5.7	Stroller and carriage toys	NA
5.8	Toys intended to be assembled by an adult	NA
5.9	Simulated protective devices	NA
5.10	Toys with functional sharp edges or points	NA
5.11	Small objects, small balls, marbles, and balloons 16 CFR 1500.19	Passed
5.12	Art Materials	NA
5.13	Electric toys	NA
5.15	Promotional materials	Passed
5.16	Magnets	NA

QP-30-02f A/3 2024-07-01

Page 5 of 16

This document is issued subject to the latest CMA Testing General Terms and Conditions of Testing and Inspection Services, available on request or accessible at website [www.cmatesting.com.cn](http://www.cmatesting.com.cn).

This document shall not be reproduced except in full without written approval by CMA Testing. The results apply to the sample as received unless otherwise specified. The observations and test results in this report are relevant only to the sample tested. There was no verification on the validity of the information provided by the applicant.

Yubiao Testing and Certification Laboratory (Shenzhen) Limited

Address: 5/F, Block 2, Runheng Electronic Park/Runheng-dingfeng High-tech Industrial Park, Liuxian 2nd Road, Xin'an Subdistrict, Bao'an District, Shenzhen, Guangdong, China.

Tel: (86) 755 8835 0808 Fax: (86) 755 8835 1430 E-mail: [info.sc@cmatesting.org](mailto:info.sc@cmatesting.org) Web Site: <http://www.cmatesting.com.cn>



## TEST REPORT

Report No : A32002183(8)

Date: 2026-03-19

Application No : L3201521(3)

Test Result :

<u>Clause</u>	<u>Title/Description</u>	<u>Remark*</u>
6	Instructional literature	
6.1	Definition and description	Passed
6.2	Crib and playpen toys	NA
6.3	Mobiles	NA
6.4	Toys intended to be assembled by an adult	NA
6.7	Toys in contact with food	NA
6.8	Toy Chests	NA
7	Producer's markings	
7.1	Producer's markings	Passed
7.3	Toy Chests	NA

Remark : Tracking labeling was not presented on product due to the aesthetics of the product would be ruined by a mark, and a mark cannot be placed in an accessible but inconspicuous location per client.

The sample(s) were subjected to the normal use and abuse tests in according with Clause 8.5 Normal Use Testing, 8.7 Impact test, 8.8 Torque test, 8.9 Tension test, 8.10 Compression test and 8.12 Flexure test whichever was applicable.

\* Abbreviation : NA = Not Applicable



# TEST REPORT

Report No : A32002183(8)  
Application No : L3201521(3)  
Test Result :

Date: 2026-03-19

## Appendix

### Details of Test Result

ASTM F963-23

Clause                    Title/Description  
4.2                            Flammability

a. Materials other than textiles (16 CFR 1500.3 (c) (6) (vi))

Test method : Annex A5 (16 CFR 1500.44)

The results of the burning rate of the most severe part = 0.08 in/seconds.

The burning rate of the most severe part = 0.1 in/seconds.  
(Round off to the nearest tenth)

Note : Maximum permissible burning rate = 0.1 in/second.  
DNI = Did Not Ignite

b. Textile fabrics  
Test method : Annex A6 (16 CFR 1610.6)

<u>Sample</u>	<u>After washing</u>	
	<u>Burning time</u> (seconds)	<u>Code</u>
1 Ave.	- NIL	- DNI

Remark : Requirement (min.) ≥ 3.5 seconds for plain surface fabric  
Remark : Requirement (min.) ≥ 4 seconds for raised surface fabric

Note 1 : DNI denotes Did Not Ignite  
Note 2 : Sample 1 = Matador Explorer

Note: All styles of submitted sample(s) (and its accessories) was/were tested, the above result only showed the most severe burn rate.



## TEST REPORT

Report No : A32002183(8)

Date: 2026-03-19

Application No : L3201521(3)

Test Result :

### I. ASTM F963-23 Clause 4.3: Toxicology – Clause 4.3.5 Heavy Elements

Test Method : As stated in the above specification. Acid digestion followed by Atomic Absorption Spectrophotometry and Inductively Coupled Plasma Spectrometry (ICP-OES) for total lead analysis. Diluted acid extraction followed by Inductively Coupled Plasma Spectrometry (ICP-OES) for soluble heavy element analysis

<u>Clause</u>	<u>Title/Description</u>	<u>Remark*</u>
4.3.5.1 (1)	Paint and Similar Surface-Coating, total lead	Passed

<u>Test Item</u>	<u>Total Lead</u>
Maximum Permissible Level (mg/kg)	90
Test Part(s)	Result (mg/kg)
4	<10
5	<10
6	<10
12	<10
18	<10

4.3.5.1 (2)	Paint and Similar Surface-Coating, soluble heavy elements	Passed
-------------	---	--------

<u>Test Item</u>	As	Hg	Se	Cd	Sb	Pb	Cr	Ba
Maximum Permissible Limit (mg/kg)	25	60	500	75	60	90	60	1000
Test Part(s)	Test Result (mg/kg)							
4	<5	<5	<5	<5	<5	<5	<5	346
5	<5	<5	<5	<5	<5	<5	<5	454
6	<5	<5	<5	<5	<5	<5	<5	<20
12	<5	<5	<5	<5	<5	<5	<5	<20
18	<5	<5	<5	<5	<5	<5	<5	160



## TEST REPORT

Report No : A32002183(8)

Date: 2026-03-19

Application No : L3201521(3)

Test Result :

### I. ASTM F963-23 Clause 4.3: Toxicology – Clause 4.3.5 Heavy Elements

<u>Clause</u>	<u>Title/Description</u>	<u>Remark*</u>
4.3.5.2 (2)(a)	Toy substrate materials, total lead content	Passed

<u>Test Item</u>	<u>Total Lead</u>
Maximum Permissible Limit (mg/kg)	100
<u>Test Part(s)</u>	<u>Test Result (mg/kg)</u>
1+7	<10
2+3	<10
8+9	<10
10+15	<10
11	<10
13	<10
14	<10
15	<10
16	<10
17	<10
19+20	<10

4.3.5.2 (2)(b)	Toy substrate materials, soluble heavy elements	Passed
----------------	---	--------

<u>Test Item</u>	As	Hg	Se	Cd	Sb	Pb	Cr	Ba
Maximum Permissible Limit (mg/kg)	25	60	500	75	60	90	60	1000
<u>Test Part(s)</u>	<u>Test Result (mg/kg)</u>							
1	<5	<5	<5	<5	<5	<5	<5	<20
2	<5	<5	<5	<5	<5	<5	<5	<20
3	<5	<5	<5	<5	<5	<5	<5	<20
7	<5	<5	<5	<5	<5	<5	<5	<20
8	<5	<5	<5	<5	<5	<5	<5	<20
9	<5	<5	<5	<5	<5	<5	<5	55
10	<5	<5	<5	<5	<5	<5	<5	38
11	<5	<5	<5	<5	<5	<5	<5	<20
15	<5	<5	<5	<5	<5	<5	<5	40
19	<5	<5	<5	<5	<5	<5	<5	<20
20	<5	<5	<5	<5	<5	<5	<5	<20

<u>Test Part(s)</u>	1	2	3	4	5	6	7	8
Sample weight	≥100mg	≥100mg	≥100mg	≥100mg	≥100mg	≥100mg	≥100mg	≥100mg



## TEST REPORT

Report No : A32002183(8)

Date: 2026-03-19

Application No : L3201521(3)

Test Result :

### I. ASTM F963-23 Clause 4.3: Toxicology – Clause 4.3.5 Heavy Elements

Test Part(s)	9	10	11	12	15	18	19	20
Sample weight	≥100mg	≥100mg	≥100mg	≥100mg	≥100mg	38.6mg	≥100mg	≥100mg

- Note :
- < denotes less than, ≥ denotes greater than or equal to
  - As = Arsenic; Hg = Mercury; Se = Selenium; Cd = Cadmium; Sb = Antimony; Pb = Lead; Cr = Chromium; Ba = Barium
  - The test part(s) with sample weight less than 100 mg, were assumed to be 100 mg in calculation

Clause	Title/Description	Remark*
4.3.5.2 (2)(d)	Toy substrate materials, soluble cadmium for metallic small parts	Passed

Test Item	Extracted Cadmium
Permissible Limit (µg)	200
Test Part(s)	Result (µg)
11	<10

- Note :
- Extracted cadmium is analyzed as per section 8.3.5.5(3)
  - < denotes less than



## TEST REPORT

Report No : A32002183(8)

Date: 2026-03-19

Application No : L3201521(3)

Test Result :

### I. ASTM F963-23 Clause 4.3: Toxicology – Clause 4.3.8 Phthalates

Test Method : With reference to CPSC-CH-C1001-09.4, followed by Gas Chromatography - Mass Spectrometer (GC-MS) analysis

<u>Clause</u>	<u>Title/Description</u>	<u>Remark*</u>
4.3.8	Accessible plasticized component, Phthalates	Passed

<u>Test Item</u>	DEHP	DBP	BBP	DINP	DIBP	DPENP	DHEXP	DCHP
Maximum Limit (% w/w)	0.1	0.1	0.1	0.1	0.1	0.1	0.1	0.1
<u>Test Part(s)</u>	<u>Result (% w/w)</u>							
1+7	<0.01	<0.01	<0.01	<0.01	<0.01	<0.01	<0.01	<0.01
2+3	<0.01	<0.01	<0.01	<0.01	<0.01	<0.01	<0.01	<0.01
4+5+6	<0.01	<0.01	<0.01	<0.01	<0.01	<0.01	<0.01	<0.01
8+9	<0.01	<0.01	<0.01	<0.01	<0.01	<0.01	<0.01	<0.01
10+15	<0.01	<0.01	<0.01	<0.01	<0.01	<0.01	<0.01	<0.01
12	<0.01	<0.01	<0.01	<0.01	<0.01	<0.01	<0.01	<0.01
13	<0.01	<0.01	<0.01	<0.01	<0.01	<0.01	<0.01	<0.01
18	<0.01	<0.01	<0.01	<0.01	<0.01	<0.01	<0.01	<0.01
19+20	<0.01	<0.01	<0.01	<0.01	<0.01	<0.01	<0.01	<0.01

- Note :
- % w/w denotes percentage by weight, < denotes less than
  - DEHP = Di (2-ethylhexyl) Phthalate; DBP = Dibutyl Phthalate; BBP = Butyl Benzyl Phthalate; DINP = Diisononyl Phthalate; DIBP = diisobutyl phthalate; DPENP = di-n-pentyl phthalate; DHEXP = di-n-hexyl phthalate ; DCHP = dicyclohexyl phthalate



# TEST REPORT

Report No : A32002183(8)

Date: 2026-03-19

Application No : L3201521(3)

Test Result :

## II. U.S. Consumer Product Safety Commission (CPSC) Regulations (16 CFR Part 1500.3(c)(6)(vi), 1500.48, 1500.49, 1501)

<u>Clause</u>	<u>Title/Description</u>	<u>Remark*</u>
1500.3(c)(6)(vi)	Flammability test on solid materials Test method : 16 CFR 1500.44  The results of the burning rate of the most severe part = 0.08 in/seconds.  The burning rate of the most severe part = 0.1 in/seconds. (Round off to the nearest tenth)  Note : Maximum permissible burning rate = 0.1 in/second. DNI = Did Not Ignite	Passed
1500.48	Accessible sharp points (Before and after abuse tests)	Passed
1500.49	Accessible sharp edges (Before and after abuse tests)	Passed
1501	Test for small parts (for toys intended for use by children under three years of age)	NA

Note : Abuse tests included impact test, torque test, tension test and compression test whichever was applicable

\* Abbreviation : NA = Not Applicable

## III. Marking review in accordance with U.S. Consumer Product Safety Improvement Act of 2008 (CPSIA) - Sec. 103 : Tracking Labels for Children’s Products.

The submitted sample was found to bear the permanent and legible markings

- (a) The name of the manufacturer or private labeler
- (b) The location and date of production of the product
- (c) Cohort information (including the batch, run number, or other identifying characteristic)

Note : The tracking label assessment was based on the product packaging and the information provided by the applicant. There was no verification on the validity of such information.



## TEST REPORT

Report No : A32002183(8)

Date: 2026-03-19

Application No : L3201521(3)

Test Result :

### **IV. U.S. Consumer Product Safety Improvement Act of 2008 - Sec. 101: Children's Products Containing Lead; Lead Paint Rule**

Test Method : With reference to CPSC-CH-E1003-09.1 and CPSC-CH-E1002-08.3 and CPSC-CH-E1001-08.3, followed by Atomic Absorption Spectrophotometry and Inductively Coupled Plasma Spectrometry (ICP-OES) analysis.

#### **For paint and similar surface-coating materials**

<u>Test Item</u>	Total Lead
Permissible Limit (mg/kg)	90
Test Part(s)	Test result (mg/kg)
4	<10
5	<10
6	<10
12	<10
18	<10

#### **For materials and substrate**

<u>Test Item</u>	Total Lead
Permissible Limit (mg/kg)	100
Test Part(s)	Test result (mg/kg)
1+7	<10
2+3	<10
8+9	<10
10+15	<10
11	<10
13	<10
14	<10
15	<10
16	<10
17	<10
19+20	<10

Note : • < denotes less than



## TEST REPORT

Report No : A32002183(8)

Date: 2026-03-19

Application No : L3201521(3)

Test Result :

### V. U.S. Consumer Product Safety Commission (CPSC) Regulation- 16 CFR Part 1303 Ban of Lead - Containing Paint and Certain Consumer Products Bearing Lead - Containing Paint

Test Method : With reference to CPSC-CH-E1003-09.1, followed by Atomic Absorption Spectrophotometry and Inductively Coupled Plasma Spectrometry (ICP-OES) analysis.

Test Item	Total Lead
Permissible Limit (% w/w)	0.009
Test Part(s)	Test Result (% w/w)
4	<0.0010
5	<0.0010
6	<0.0010
12	<0.0010
18	<0.0010

Note : 

- < denotes less than
- % w/w denotes percentage by weight

### VI. U.S. Consumer Product Safety Commission (CPSC) Regulation-16 CFR Part 1307 - Prohibition of Children Toys and Child Care Articles Containing Specified Phthalates

Test Method : With reference to CPSC-CH-C1001-09.4, followed by Gas Chromatography - Mass Spectrometer (GC-MS) analysis.

Test Item	DEHP	DBP	BBP	DINP	DIBP	DPENP	DHEXP	DCHP
Maximum Limit (% w/w)	0.1	0.1	0.1	0.1	0.1	0.1	0.1	0.1
Test Part(s)	Result (% w/w)							
1+7	<0.01	<0.01	<0.01	<0.01	<0.01	<0.01	<0.01	<0.01
2+3	<0.01	<0.01	<0.01	<0.01	<0.01	<0.01	<0.01	<0.01
4+5+6	<0.01	<0.01	<0.01	<0.01	<0.01	<0.01	<0.01	<0.01
8+9	<0.01	<0.01	<0.01	<0.01	<0.01	<0.01	<0.01	<0.01
10+15	<0.01	<0.01	<0.01	<0.01	<0.01	<0.01	<0.01	<0.01
12	<0.01	<0.01	<0.01	<0.01	<0.01	<0.01	<0.01	<0.01
13	<0.01	<0.01	<0.01	<0.01	<0.01	<0.01	<0.01	<0.01
18	<0.01	<0.01	<0.01	<0.01	<0.01	<0.01	<0.01	<0.01
19+20	<0.01	<0.01	<0.01	<0.01	<0.01	<0.01	<0.01	<0.01

Note : 

- < denotes less than
- % w/w denotes percentage by weight
- DEHP = Di (2-ethylhexyl) Phthalate; DBP = Dibutyl Phthalate; BBP = Butyl Benzyl Phthalate; DINP = Diisononyl Phthalate; DIBP =diisobutyl phthalate; DPENP =di-n-pentyl phthalate; DHEXP =di-n-hexyl phthalate ; DCHP =dicyclohexyl phthalate

Unless otherwise stated, the decision rule for conformity reporting is based on Binary Statement for Simple Acceptance Rule (w=0) stated in ILAC-G8:09/2019/CNAS GL015:2022.

## TEST REPORT

Report No : A32002183(8)  
Application No : L3201521(3)

Date: 2026-03-19

### Appendix



Sample A



Sample B



Sample C



Sample D



Sample E



Sample F



## TEST REPORT

Report No : A32002183(8)

Date: 2026-03-19

Application No : L3201521(3)

### Appendix

- Test Part(s) :
1. Brown plastic (pliers, sample A~F)
  2. Pale brown and brown wood (building blocks and hammer, sample A~ F)
  3. Ivory and pale brown wood (axis, sample A~ F)
  4. Red coating (axis, sample A~ F)
  5. Green coating (axis, sample A~ F)
  6. Yellow coating (axis, sample A~ F)
  7. Green plastic (ring, sample A~ F)
  8. Blue plastic (ring, sample A~ F)
  9. White plastic (elastic cord, sample A~F)
  10. White fabric (elastic cord, sample A~ F)
  11. Silvery metal (clip, sample A~ F)
  12. Multi-color coatings (instruction book, sample A~ F)
  13. White paper (instruction book, sample A~ F)
  14. Silvery metal (staple of instruction book, sample A~ F)
  15. White fabric (string, sample E)
  16. Silvery metal (rivet, sample F)
  17. Silvery metal (plate, sample F)
  18. Blue coating (bag, sample A~ F)
  19. White fabric with white thread (main body of bag, sample A~ F)
  20. White fabric (string of bag, sample A~ F)

\*\*\*\*\* End of Report \*\*\*\*\*

## TEST REPORT

Report No : A32002185(0) Date: 2026-03-19

Application No : L3201521(3)

Applicant : MATADOR SPIELWAREN GMBH  
SPORTPLATZSTRASSE 21, 3388 MARKERSDORF, AUSTRIA

Factory : MATADOR SPIELWAREN GMBH  
SPORTPLATZSTRASSE 21, 3388 MARKERSDORF, AUSTRIA NA

Sample Description : The submitted sample(s) stated to be :

Sample	Product Name	Model No.
A	Matador Explorer E099	11099
B	Matador Explorer E222	11222
C	Matador Explorer E318	11318
D	Matador Explorer E407	11407
E	Matador Explorer E717	11717
F	Matador Explorer EXL	11151

No. of Sample(s) submitted : 2 pcs per style  
 Labelled Age Grade : 5+  
 Appropriate Age Grade : Over 5 years of age  
 Tested Age Grade : Over 5 years of age  
 Country of Origin : China  
 Country of Destination : EU

Date Received : 2026-02-25. 2026-03-11. 2026-03-17.

Test Period : 2026-02-25 to 2026-03-18.

Test Requested	<u>Test Item</u>	<u>Result</u>
I.	EN 71 : Part 1 : 2014 + A1 : 2018 - Physical and Mechanical Properties;	Passed
II.	EN 71 : Part 2 : 2020 - Flammability test;	Passed
III.	EN 71 : Part 2 : 2020 + A1 : 2025 - Flammability test;	Passed
IV.	EN71 : Part 3 : 2019+A2 : 2024 - Migration of certain elements (Aluminium, Antimony, Arsenic, Barium, Boron, Cadmium, Chromium (III), Chromium (VI), Cobalt, Copper, Lead, Manganese, Mercury, Nickel, Selenium, Strontium, Tin, Organic Tin and Zinc).	Passed

For and on behalf of  
Yubiao Testing and Certification Laboratory (Shenzhen) Limited

Authorized Signature :  \_\_\_\_\_ 

Ouyang Jingde / Samuel Wang Daoqin / Star  
Deputy Manager Deputy Manager



A32002185(0)

QP-30-02f A/3 2024-07-01

Page 1 of 13

This document is issued subject to the latest CMA Testing General Terms and Conditions of Testing and Inspection Services, available on request or accessible at website [www.cmatesting.com.cn](http://www.cmatesting.com.cn). This document shall not be reproduced except in full without written approval by CMA Testing. The results apply to the sample as received unless otherwise specified. The observations and test results in this report are relevant only to the sample tested. There was no verification on the validity of the information provided by the applicant.

Yubiao Testing and Certification Laboratory (Shenzhen) Limited

Address: 5/F, Block 2, Runheng Electronic Park/Runheng-dingfeng High-tech Industrial Park, Liuxian 2nd Road, Xin'an Subdistrict, Bao'an District, Shenzhen, Guangdong, China.  
 Tel: (86) 755 8835 0808 Fax: (86)755 8835 1430 E-mail: [info.sc@cmatesting.org](mailto:info.sc@cmatesting.org) Web Site: <http://www.cmatesting.com.cn>



## TEST REPORT

Report No : A32002185(0)

Date: 2026-03-19

Application No : L3201521(3)

Test Requested	<u>Test Item</u>	<u>Result</u>
	V. Labeling requirement (Washing/Cleaning Label, CE mark, importer / manufacturer mark (name, address), product identification) according to informative Annex A.26 and A.33 of The European Standard on safety of toys EN71-1:2014+A1:2018 and the Directive 2009/48/EC-Safety of toys	Passed

Test Result : Refer to the result pages for details.

For and on behalf of  
Yubiao Testing and Certification Laboratory (Shenzhen) Limited

Authorized Signature :

Ouyang Jingde / Samuel  
Deputy Manager

Wang Daoqin / Star  
Deputy Manager

QP-30-02f A/3 2024-07-01

Page 2 of 13

This document is issued subject to the latest CMA Testing General Terms and Conditions of Testing and Inspection Services, available on request or accessible at website [www.cmateesting.com.cn](http://www.cmateesting.com.cn). This document shall not be reproduced except in full without written approval by CMA Testing. The results apply to the sample as received unless otherwise specified. The observations and test results in this report are relevant only to the sample tested. There was no verification on the validity of the information provided by the applicant.

Yubiao Testing and Certification Laboratory (Shenzhen) Limited

Address: 5/F, Block 2, Runheng Electronic Park/Runheng-dingfeng High-tech Industrial Park, Liuxian 2nd Road, Xin'an Subdistrict, Bao'an District, Shenzhen, Guangdong, China.  
Tel: (86) 755 8835 0808 Fax: (86)755 8835 1430 E-mail: [info.sc@cmateesting.org](mailto:info.sc@cmateesting.org) Web Site: <http://www.cmateesting.com.cn>



## TEST REPORT

Report No : A32002185(0)

Date: 2026-03-19

Application No : L3201521(3)

Test Result :

### **I. EN 71 : Part 1 : 2014 + A1 : 2018**

<u>Clause</u>	<u>Title/Description</u>	<u>Remark*</u>
4	General requirements	
4.1	Material cleanliness	Passed
4.2	Assembly	NA
4.3	Flexible plastic sheeting	NA
4.4	Toy bags	NA
4.5	Glass	NA
4.6	Expanding materials	NA
4.7	Edges	Passed
4.8	Points and metallic wires	Passed
4.9	Protruding parts	Passed
4.10	Parts moving against each other	NA
4.11	Mouth-actuated toys and other toys intended to be put in the mouth	NA
4.12	Balloons	NA
4.13	Cords of toy kites and other flying toys	NA
4.14	Enclosures	NA
4.15	Toys intended to bear the mass of a child	NA
4.16	Heavy immobile toys	NA
4.17	Projectile toys	NA
4.18	Aquatic toys and inflatable toys	NA
4.19	Percussion caps specifically designed for use in toys and toys using percussion caps	NA
4.20	Acoustics	NA
4.21	Toys containing a non-electrical heat source	NA
4.22	Small balls	NA

QP-30-02f A/3 2024-07-01

Page 3 of 13

This document is issued subject to the latest CMA Testing General Terms and Conditions of Testing and Inspection Services, available on request or accessible at website [www.cmateesting.com.cn](http://www.cmateesting.com.cn).

This document shall not be reproduced except in full without written approval by CMA Testing. The results apply to the sample as received unless otherwise specified. The observations and test results in this report are relevant only to the sample tested. There was no verification on the validity of the information provided by the applicant.

Yubiao Testing and Certification Laboratory (Shenzhen) Limited

Address: 5/F, Block 2, Runheng Electronic Park/Runheng-dingfeng High-tech Industrial Park, Liuxian 2nd Road, Xin'an Subdistrict, Bao'an District, Shenzhen, Guangdong, China.

Tel: (86) 755 8835 0808 Fax: (86) 755 8835 1430 E-mail: [info.sc@cmateesting.org](mailto:info.sc@cmateesting.org) Web Site: <http://www.cmateesting.com.cn>



## TEST REPORT

Report No : A32002185(0)

Date: 2026-03-19

Application No : L3201521(3)

Test Result :

<u>Clause</u>	<u>Title/Description</u>	<u>Remark*</u>
4.23	Magnets	NA
4.24	Yo-yo balls	NA
4.25	Toys attached to food	NA
4.26	Toy Disguise Costumes	NA
4.27	Flying toys	NA
5	Toys intended for children under 36 months	
5.1	General requirements	NA
5.2	Soft-filled toys and soft-filled parts of a toy	NA
5.3	Plastic sheeting	NA
5.4	Cords, chains and electrical cables in toy	NA
5.5	Liquid-filled toys	NA
5.6	Speed limitation of electrically driven ride-on toys	NA
5.7	Glass and porcelain	NA
5.8	Shape and size of certain toys	NA
5.9	Toys comprising monofilament fibres	NA
5.10	Small balls	NA
5.11	Play figures	NA
5.12	Hemispheric-shaped toys	NA
5.13	Suction cups	NA
5.14	Straps intended to be worn fully or partially around the neck	NA
5.15	Sledges with cords for pulling	NA
6	Packaging	NA
7	Warnings, markings and instructions for use	
7.1	General	Passed



## TEST REPORT

Report No : A32002185(0)

Date: 2026-03-19

Application No : L3201521(3)

Test Result :

<u>Clause</u>	<u>Title/Description</u>	<u>Remark*</u>
7.2	Toys not intended for children under 36 months	Passed
7.3	Latex balloons	NA
7.4	Aquatic toys	NA
7.5	Functional toys	NA
7.6	Hazardous sharp functional edges and points	NA
7.7	Projectile toys	NA
7.8	Imitation protective masks and helmets	NA
7.9	Toy kites	NA
7.10	Roller skates, inline skates, skateboards and certain other ride-on toys	NA
7.11	Toys intended to be attached to or strung across a cradle, cot, or perambulator	NA
7.12	Liquid-filled teethers	NA
7.13	Percussion caps specifically designed for use in toys	NA
7.14	Acoustics	NA
7.15	Toy bicycles	NA
7.16	Toys intended to bear the mass of a child	NA
7.17	Toys comprising monofilament fibres	NA
7.18	Toy scooters	NA
7.19	Rocking horses and similar toys	NA
7.20	Magnetic/electrical experimental sets	NA
7.21	Toys with electrical cables exceeding 300 mm in length	NA
7.22	Toys with cords or chains intended for children of 18 months and over but under 36 months	NA
7.23	Toys intended to be attached to a cradle, cot or perambulator	NA
7.24	Sledges with cord for pulling	NA
7.25	Flying toys	NA

QP-30-02f A/3 2024-07-01

Page 5 of 13

This document is issued subject to the latest CMA Testing General Terms and Conditions of Testing and Inspection Services, available on request or accessible at website [www.cmatesting.com.cn](http://www.cmatesting.com.cn). This document shall not be reproduced except in full without written approval by CMA Testing. The results apply to the sample as received unless otherwise specified. The observations and test results in this report are relevant only to the sample tested. There was no verification on the validity of the information provided by the applicant.

Yubiao Testing and Certification Laboratory (Shenzhen) Limited

Address: 5/F, Block 2, Runheng Electronic Park/Runheng-dingfeng High-tech Industrial Park, Liuxian 2nd Road, Xin'an Subdistrict, Bao'an District, Shenzhen, Guangdong, China.

Tel: (86) 755 8835 0808 Fax: (86) 755 8835 1430 E-mail: [info.sc@cmatesting.org](mailto:info.sc@cmatesting.org) Web Site: <http://www.cmatesting.com.cn>



## TEST REPORT

Report No : A32002185(0)

Date: 2026-03-19

Application No : L3201521(3)

Test Result :

<u>Clause</u>	<u>Title/Description</u>	<u>Remark*</u>
7.26	Improvised projectile	NA

### II. EN 71 : Part 2 : 2020

<u>Clause</u>	<u>Title/Description</u>	<u>Remark*</u>
4.1	General requirements Note 1 : No celluloid (cellulose nitrate) and highly flammable solids was detected	Passed
4.2	Toys to be worn on the head	NA
4.3	Toys disguise costumes and toys intended to be worn by a child in play	NA
4.4	Toys intended to be entered by a child	NA
4.5	Soft-filled toys	NA

\* Abbreviation : NA = Not Applicable

### III. EN 71 : Part 2 : 2020 + A1:2025

<u>Clause</u>	<u>Title/Description</u>	<u>Remark*</u>
4.1	General requirements Note 1 : No celluloid (cellulose nitrate) and highly flammable solids was detected	Passed
4.2	Toys to be worn on the head	NA
4.3	Toys disguise costumes and toys intended to be worn by a child in play	NA
4.4	Toys intended to be entered by a child	NA
4.5	Soft-filled toys	NA

\* Abbreviation : NA = Not Applicable



## TEST REPORT

Report No : A32002185(0)

Date: 2026-03-19

Application No : L3201521(3)

Test Result :

### IV. EN71 : Part 3 : 2019+A2 : 2024

Test Method : As stated in above specifications. Heavy metal analysis was determined by Inductively Coupled Plasma Spectrometry (ICP-OES) and Ion Chromatograph (IC).

### Category III – Scraped-off toy material

Element	Migration limit (mg/kg)	Result (mg/kg)					
		Test Part(s)					
		1	2	3	4	5	6
Aluminium (Al)	28,130	<100	<100	<100	<100	151	102
Antimony (Sb)	560	<5	<5	<5	<5	<5	<5
Arsenic (As)	47	<5	<5	<5	<5	<5	<5
Barium (Ba)	18,750	<20	<20	<20	346	454	<20
Boron (B)	15,000	<100	<100	<100	<100	<100	<100
Cadmium (Cd)	17	<5	<5	<5	<5	<5	<5
Chromium (III)	460	<1	<1	<1	<1*	<1*	<1*
Chromium (VI)	0.053	<0.050	<0.050	<0.050	<0.015*	<0.015*	<0.015*
Cobalt (Co)	130	<5	<5	<5	<5	<5	<5
Copper (Cu)	7,700	<5	<5	<5	<5	<5	<5
Lead (Pb)	23	<5	<5	<5	<5	<5	<5
Manganese (Mn)	15,000	<100	<100	<100	<100	<100	<100
Mercury (Hg)	94	<5	<5	<5	<5	<5	<5
Nickel (Ni)	930	<5	<5	<5	<5	<5	<5
Selenium (Se)	460	<5	<5	<5	<5	<5	<5
Strontium (Sr)	56,000	<100	<100	<100	<100	<100	<100
Tin (Sn)	180,000	<2.5	<2.5	<2.5	<2.5	<2.5	<2.5
Organic tin <sup>#</sup>	12	<9	<9	<9	<9	<9	<9
Zinc (Zn)	46,000	<100	<100	<100	1113	590	593



## TEST REPORT

Report No : A32002185(0)

Date: 2026-03-19

Application No : L3201521(3)

Test Result :

**IV. EN71 : Part 3 : 2019+A2 : 2024**

**Category III – Scraped-off toy material**

Element	Migration limit (mg/kg)	Result (mg/kg)					
		Test Part(s)					
		7	8	9	10	11	12
Aluminium (Al)	28,130	<100	<100	<100	<100	<100	<100
Antimony (Sb)	560	<5	<5	<5	<5	<5	<5
Arsenic (As)	47	<5	<5	<5	<5	<5	<5
Barium (Ba)	18,750	<20	<20	55	38	<20	40
Boron (B)	15,000	<100	<100	<100	<100	<100	<100
Cadmium (Cd)	17	<5	<5	<5	<5	<5	<5
Chromium (III)	460	<1	<1	<1	<1	3*	<1
Chromium (VI)	0.053	<0.050	<0.050	<0.050	<0.050	<0.015*	<0.050
Cobalt (Co)	130	<5	<5	<5	<5	<5	<5
Copper (Cu)	7,700	<5	<5	<5	<5	<5	<5
Lead (Pb)	23	<5	<5	<5	<5	<5	<5
Manganese (Mn)	15,000	<100	<100	<100	<100	<100	<100
Mercury (Hg)	94	<5	<5	<5	<5	<5	<5
Nickel (Ni)	930	<5	<5	<5	<5	<5	<5
Selenium (Se)	460	<5	<5	<5	<5	<5	<5
Strontium (Sr)	56,000	<100	<100	<100	<100	<100	<100
Tin (Sn)	180,000	<2.5	<2.5	<2.5	<2.5	<2.5	<2.5
Organic tin <sup>#</sup>	12	<9	<9	<9	<9	<9	<9
Zinc (Zn)	46,000	<100	<100	1646	509	22865	<100



## TEST REPORT

Report No : A32002185(0)

Date: 2026-03-19

Application No : L3201521(3)

Test Result :

### IV. EN71 : Part 3 : 2019+A2 : 2024

#### Category III – Scraped-off toy material

Element	Migration limit (mg/kg)	Result (mg/kg)			
		Test Part(s)			
		13	14	15	16
Aluminium (Al)	28,130	<100	<100	<100	<100
Antimony (Sb)	560	<5	<5	<5	<5
Arsenic (As)	47	<5	<5	<5	<5
Barium (Ba)	18,750	160	<20	21	<20
Boron (B)	15,000	<100	<100	<100	<100
Cadmium (Cd)	17	<5	<5	<5	<5
Chromium (III)	460	<1*	<1	<1	<1
Chromium (VI)	0.053	<0.015*	<0.050	<0.050	<0.050
Cobalt (Co)	130	<5	<5	<5	<5
Copper (Cu)	7,700	10	<5	<5	<5
Lead (Pb)	23	<5	<5	<5	<5
Manganese (Mn)	15,000	<100	<100	<100	<100
Mercury (Hg)	94	<5	<5	<5	<5
Nickel (Ni)	930	<5	<5	<5	<5
Selenium (Se)	460	<5	<5	<5	<5
Strontium (Sr)	56,000	<100	<100	<100	<100
Tin (Sn)	180,000	<2.5	<2.5	<2.5	<2.5
Organic tin <sup>#</sup>	12	<9	<9	<9	<9
Zinc (Zn)	46,000	<100	<100	<100	<100

Test Part(s)	1	2	3	4	5	6
Sample weight	≥100mg	≥100mg	≥100mg	≥100mg	≥100mg	≥100mg

Test Part(s)	7	8	9	10	11	12
Sample weight	≥100mg	≥100mg	≥100mg	≥100mg	≥100mg	≥100mg

Test Part(s)	13	14	15	16
Sample weight	38.6mg	≥100mg	≥100mg	≥100mg



## TEST REPORT

Report No : A32002185(0)

Date: 2026-03-19

Application No : L3201521(3)

Test Result :

### IV. EN71 : Part 3 : 2019+A2 : 2024

#### Category III – Scraped-off toy material

- Note :
- < denotes less than, ≥ denotes greater than or equal to
  - For test part(s) of migrated chromium content lower than migration limit of chromium (VI), no speciation test for chromium (III) and chromium (VI) were conducted. The results were derived from that of total chromium
  - For test part(s) of migrated tin content calculated as tributyl tin lower than migration limit of organic tin, no organic tin test was conducted. Organic tin results were derived from that of total tin
  - The test part(s) with sample weight less than 100 mg, were assumed to be 100 mg in calculation (except glass/ceramic/metallic materials)
  - \* Chromium (VI) test was conducted. Chromium (III) result was calculated by subtracting Chromium (VI) result from Chromium result
  - # Organic tin compounds under investigation are limited to methyltin, butyltin, Dimethyltin, dibutyltin, tributyltin, tetrabutyltin, mono-octyltin, dioctyltin, dipropyltin, diphenyltin and triphenyltin. Other organic tin compounds may also be present in toys

## TEST REPORT

Report No : A32002185(0)

Date: 2026-03-19

Application No : L3201521(3)

Test Result :

**V. Labeling requirement (Washing/Cleaning Label, CE mark, importer / manufacturer mark (name, address), product identification) according to informative Annex A.26 and A.33 of The European Standard on safety of toys EN71-1:2014+A1:2018 and the Directive 2009/48/EC-Safety of toys**

Summary table:

--	On product	On packaging
Washing/Cleaning instruction	Not Applicable	Not Applicable
CE mark	Absent	Present
Manufacturer's Name & Address	Absent	Present
Importer's Name & Address	Absent	Present
Product ID	Absent	Present

Remark 1: According to Directive 2009/48/EC the following safety requirements apply regarding cleaning and washing. A toy intended for use by children under 36 months must be designed and manufactured in such a way that it can be cleaned. A textile toy must, to this end, be washable, except if it contains a mechanism that may be damaged if soaked. The toy must fulfill the safety requirements also after having been cleaned in accordance with this point and the manufacturer's instructions. The manufacturer should, if applicable, provide instructions on how the toy has to be cleaned.

Remark 2: Toys made available on the market must bear the CE marking. The CE marking must be subject to the general principles set out in Article 30 of Regulation (EC) No 765/2008. The CE marking must be affixed visibly, legibly and indelibly to the toy, to an affixed label or to the packaging. In the case of small toys and toys consisting of small parts, the CE marking may alternatively be affixed to a label or an accompanying leaflet. Where, in the case of toys sold in counter displays, that is not technically possible, and on condition that the counter display was originally used as packaging for the toy, the CE marking may be affixed to the counter display. Where the CE marking is not visible from outside the packaging, if any, it shall as a minimum be affixed to the packaging. Where specific legislation does not impose specific dimensions, the CE marking must be at least 5 mm high.

Remark 3: The manufacturer's name, registered trade name or registered trade mark and the address at which the manufacturer can be contacted must be indicated on the toy or, where that is not possible, on its packaging or in a document accompanying the toy. This requirement applies also to the name and address etc. of any importer.

Remark 4: Manufacturers must ensure that their toys bear a type, batch, serial or model number or other element allowing their identification, or where the size or nature of the toy does not allow it, that the required information is provided on the packaging or in a document accompanying the toy.

Unless otherwise stated, the decision rule for conformity reporting is based on Binary Statement for Simple Acceptance Rule ( $w=0$ ) stated in ILAC-G8:09/2019/CNAS GL015:2022.

## TEST REPORT

Report No : A32002185(0)  
Application No : L3201521(3)

Date: 2026-03-19

### Appendix



Sample A



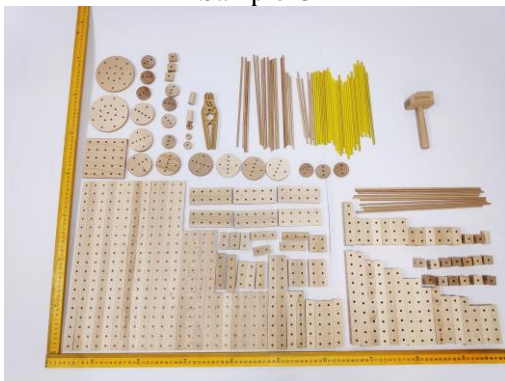
Sample B



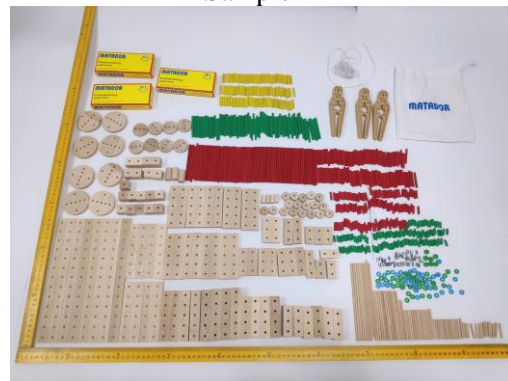
Sample C



Sample D



Sample E



Sample F



## TEST REPORT

Report No : A32002185(0)

Date: 2026-03-19

Application No : L3201521(3)

### Appendix

- Test Part(s) :
1. Brown plastic (pliers, sample A~F)
  2. Pale brown and brown wood (building blocks and hammer, sample A~ F)
  3. Ivory and pale brown wood (axis, sample A~ F)
  4. Red coating (axis, sample A~ F)
  5. Green coating (axis, sample A~ F)
  6. Yellow coating (axis, sample A~ F)
  7. Green plastic (ring, sample A~ F)
  8. Blue plastic (ring, sample A~ F)
  9. White plastic (elastic cord, sample A~F)
  10. White fabric (elastic cord, sample A~ F)
  11. Silvery metal (clip, sample A~ F)
  12. White fabric (string, sample E)
  13. Blue coating (bag, sample A~ F)
  14. White fabric with white thread (main body of bag, sample A~ F)
  15. White fabric (string of bag, sample A~ F)
  16. White paper with multi-color coatings (instruction book, sample A~ F)

\*\*\*\*\* End of Report \*\*\*\*\*



# EG-KONFORMITÄTSERKLÄRUNG / EC DECLARATION OF CONFIRMITY

Artikel / article: Matador – Holzbaukästen „E099“

Hersteller / manufacturer: **Matador Spielwaren GmbH**, Sportplatzstraße 21, 3388 Markersdorf, Austria

Die alleinige Verantwortung für die Ausstellung dieser Konformitätserklärung trägt der Hersteller / *This declaration of conformity is issued under the sole responsibility of the manufacturer.*

Gegenstand der Erklärung / object of declaration:  
Matador Holzbaukästen „E099“  
Artikelnummern: 11099

Barcodes: E099: **9007102110997**

Artikelbezeichnung / article designation:  
- Matador E099, ab 5 Jahren, 99 Teile



Der Hersteller erklärt, dass die oben genannten Artikel die einschlägigen Harmonisierungsvorschriften der Gemeinschaft erfüllen / *the manufacturer declares that the articles of the declaration described above are in conformity with the relevant Community harmonisation legislation:*

Richtlinie 2009/48/EG über die Sicherheit von Spielzeug  
*Directive 2009/48/EC on the safety of toys*

Angewandte harmonisierte Normen oder Spezifikationen/  
*Applied harmonized standards or specifications:*

- EN 71 - Part 1: 2014 + A1: 2018 – Physical and Mechanical Properties → Passed
- EN 71 - Part 2: 2020 – Flammability Test → Passed
- EN 71 - Part 2: 2020 + A1: 2025 – Flammability Test → Passed
- EN 71 - Part 3: 2019 + A2: 2024 – Migration of Certain Elements:  
Aluminium, Antimony, Arsenic, Barium, Boron, Cadmium, Chromium (III), Chromium (VI), Cobalt, Copper, Lead, Manganese, Mercury, Nickel, Selenium, Strontium, Tin, Organic Tin, Zinc.

Labeling Requirements – according to informative Annex A.26 and A.33 of EN 71-1:2014+A1:2018 and Directive 2009/48/EC:

- Washing / Cleaning Label
- CE Mark
- Importer / Manufacturer mark (name, address)
- Product identification

**MATADOR**<sup>®</sup>  
MATADOR Spielwaren GmbH  
A-3121 Weversdorf, Herzogenburgerstr. 6  
Tel +43 2741 72929 Fax +43 2741 72929 4  
www.matador.at matador@matador.at

Markersdorf, am 01.04.2026

.....  
Ing. Mag. Michael TOBIAS - Geschäftsführer

## TEST REPORT

Report No : A32002184(9) Date: 2026-03-19

Application No : L3201521(3)

Applicant : MATADOR SPIELWAREN GMBH  
SPORTPLATZSTRASSE 21, 3388 MARKERSDORF, AUSTRIA

Factory : MATADOR SPIELWAREN GMBH  
SPORTPLATZSTRASSE 21, 3388 MARKERSDORF, AUSTRIA NA

Sample Description : The submitted sample(s) stated to be :

Sample	Product Name	Model No.
A	Matador Explorer E099	11099
B	Matador Explorer E222	11222
C	Matador Explorer E318	11318
D	Matador Explorer E407	11407
E	Matador Explorer E717	11717
F	Matador Explorer EXL	11151

No. of Sample(s) submitted : 2 pcs per style  
 Labelled Age Grade : 5+  
 Appropriate Age Grade : Over 5 years of age  
 Tested Age Grade : Over 5 years of age  
 Country of Origin : China  
 Country of Destination : CA

Date Received : 2026-02-25. 2026-03-11. 2026-03-17.

Test Period : 2026-02-25 to 2026-03-18.

Test Requested	<u>Test Item</u>	<u>Result</u>
I.	Canada Toys Regulations SOR/2011-17 (Last amended on November 20, 2024) - Physical and Mechanical Tests - Flammability Test - Celluloid or Cellulose Nitrate Test (Section 21) - Heavy Elements Test (Section 23) - Heavy Elements Test (Section 27)	Passed Passed Passed Passed Not Applicable
II.	Canada Consumer Products Containing Lead Regulations SOR/2018-83	Passed

For and on behalf of  
 Yubiao Testing and Certification Laboratory (Shenzhen) Limited

Authorized Signature :  \_\_\_\_\_ 

Ouyang Jingde / Samuel Wang Daoqin / Star  
 Deputy Manager Deputy Manager





## TEST REPORT

Report No : A32002184(9)

Date: 2026-03-19

Application No : L3201521(3)

Test Requested	<u>Test Item</u>	<u>Result</u>
	III. Canada Surface Coating Materials Regulations SOR/2016-193 and its amendment SOR/2022-122	Passed
	IV. Phthalates contents in accordance with Canada Phthalates Regulations SOR/2016-188 Section 2 and 3	Not Applicable

Test Result : Refer to the result pages for details.

Remark : The submitted samples were requested by the client to be tested in composite form. The results for composite test part(s) are calculated based on the total weight.

For and on behalf of  
Yubiao Testing and Certification Laboratory (Shenzhen) Limited

Authorized Signature :

Ouyang Jingde / Samuel  
Deputy Manager

Wang Daoqin / Star  
Deputy Manager

QP-30-02f A/3 2024-07-01

Page 2 of 11

This document is issued subject to the latest CMA Testing General Terms and Conditions of Testing and Inspection Services, available on request or accessible at website [www.cmateesting.com.cn](http://www.cmateesting.com.cn). This document shall not be reproduced except in full without written approval by CMA Testing. The results apply to the sample as received unless otherwise specified. The observations and test results in this report are relevant only to the sample tested. There was no verification on the validity of the information provided by the applicant.

Yubiao Testing and Certification Laboratory (Shenzhen) Limited

Address: 5/F, Block 2, Runheng Electronic Park/Runheng-dingfeng High-tech Industrial Park, Liuxian 2nd Road, Xin'an Subdistrict, Bao'an District, Shenzhen, Guangdong, China.  
Tel: (86) 755 8835 0808 Fax: (86) 755 8835 1430 E-mail: [info.sc@cmateesting.org](mailto:info.sc@cmateesting.org) Web Site: <http://www.cmateesting.com.cn>



## TEST REPORT

Report No : A32002184(9)

Date: 2026-03-19

Application No : L3201521(3)

Test Result :

### **I. Canadian Toys Regulations SOR/2011-17 (Last amended on November 20, 2024)**

#### **a. Physical and Mechanical Tests**

<u>Section</u>	<u>Title/Description</u>	<u>Remark*</u>
3	General	NA
4	Packaging (flexible film bags)	NA
5	Electrically operated toys	NA
6	Electrically heated toys	NA
7	Small parts	NA
8	Metal edges	Passed
9	Wire frames	Passed
10	Plastic edges	Passed
11	Wood	Passed
12	Glass	NA
13	Fasteners	Passed
14	Safety stops or locking devices	NA
15	Spring-wound driving mechanisms	NA
16	Projectile components	NA
17	Enclosures	NA
18	Stability	NA
19	Decibel limit	NA
28	Fastenings	NA
29	Stuffing (a) clean and free from vermin (b) free of hard and sharp foreign matter	NA
30	Small parts	NA



## TEST REPORT

Report No : A32002184(9)

Date: 2026-03-19

Application No : L3201521(3)

Test Result :

### a. Physical and Mechanical Tests

<u>Section</u>	<u>Title/Description</u>	<u>Remark*</u>
31	Eyes and noses	NA
35	Plant seeds - noise	NA
36	Plant seeds - stuffing material	NA
37	Pull and push toys - shaft-like handles	NA
38	Toy Steam Engines - Boilers - safety valves	NA
39	Finger paints - water-based paints	NA
40	Rattles	NA
41	Elastics	NA
42	Yo-yo Type Balls	NA
43	Magnetic Toys - Magnetic force	NA
44	Magnetic Toys - Exceptions	NA
47	Toys intended to be entered by a child – Warning	NA

Remark : The submitted sample(s) were subjected to the reasonable foreseeable tests in Health Canada Product Safety Laboratory Book 5 Test Method M01.1, M00.4, M05: Drop test, Push/Pull test, Eye/Nose security whichever was applicable. Then they were evaluated as required per regulation for small components, sharp edges and sharp point per Test Method M00.1, M00.2 and M00.3.



## TEST REPORT

Report No : A32002184(9)

Date: 2026-03-19

Application No : L3201521(3)

Test Result :

### I. Canadian Toys Regulations SOR/2011-17 (Last amended on November 20, 2024)

#### b. Flammability Test

<u>Section</u>	<u>Title/Description</u>	<u>Remark*</u>
32	Flammability of outer covering	Passed

<u>Sample</u>	<u>Before washing</u>		<u>After washing</u>	
	<u>Burning time (sec)</u>	<u>Code</u>	<u>Burning time (sec)</u>	<u>Code</u>
Min.	NIL	DNI	NIL	DNI

Remark : Requirement (min.) > 7 seconds

Note 1 : DNI denotes Did Not Ignite

Note 2 : Sample 1 = Matador Explorer

Note: All styles of submitted sample(s) (and its accessories) was/were tested, the above result only showed the most severe burn rate.

33	Flammability of yarn	NA
34	Flammability of hair or mane	NA
46	Toys intended to be entered by a child – Flammability	NA

#### c. Celluloid or Cellulose Nitrate Test

<u>Section</u>	<u>Title/Description</u>	<u>Remark*</u>
21	Celluloid or cellulose Nitrate	Passed

\*Abbreviation : NA = Not Applicable



## TEST REPORT

Report No : A32002184(9)

Date: 2026-03-19

Application No : L3201521(3)

Test Result :

### **I. Canadian Toys Regulations SOR/2011-17 (Last amended on November 20, 2024)**

#### **d. Heavy Elements Test**

Section            Title/Description

23                    Stickers, films and surface coating materials

#### **For Total heavy elements**

Test Method : As per method C02.2.2, C07, published in Health Canada Product safety reference manual Book 5 – Laboratory Policies and Procedures Part B: test methods section, by acid digestion was used and toxic elements content were determined by Inductively Coupled Plasma Optical Emission Spectrometer

<u>Test Item</u>	T.Hg	T.Pb
Maximum permissible level (mg/kg)	10	90
<u>Test Part(s)</u>	<u>Test Result (mg/kg)</u>	
4	<5	<10
5	<5	<10
6	<5	<10
12	<5	<10
18	<5	<10

Note : • < denotes less than, T denotes Total  
• Hg = Mercury; Pb = Lead



## TEST REPORT

Report No : A32002184(9)

Date: 2026-03-19

Application No : L3201521(3)

Test Result :

### I. Canadian Toys Regulations SOR/2011-17 (Last amended on November 20, 2024)

#### d. Heavy Elements Test

##### For Soluble heavy elements

Test Method : As per method C08.1, published in Health Canada Product safety reference manual Book 5 – Laboratory Policies and Procedures Part B: test methods section, extraction methods was used and toxic elements content were determined by Inductively Coupled Plasma Optical Emission Spectrometer

Test Item	S.As	S.Se	S.Cd	S.Sb	S.Ba
Maximum permissible level (mg/kg)	1000	1000	1000	1000	1000
Test Part(s)	Test Result (mg/kg)				
4	<5	<5	<5	<5	346
5	<5	<5	<5	<5	454
6	<5	<5	<5	<5	<20
12	<5	<5	<5	<5	<20
18	<5	<5	<5	<5	160

Test Part(s)	4	5	6	12	18
Sample weight	≥100mg	≥100mg	≥100mg	≥100mg	38.6mg

Note : • < denotes less than, S denotes Soluble, ≥ denotes greater than or equal to  
 • As = Arsenic; Se = Selenium; Cd = Cadmium; Sb = Antimony; Ba = Barium

#### e. Heavy Elements Test

Section	Title/Description	Remark*
27	Plastic materials contained in a toy that is likely to be used by a child of less than three years of age	<u>Not Applicable</u>

There is no test on the submitted samples according to Section 27 of Canadian Toys Regulations SOR/2011-17 because there is no plastic materials found in the submitted samples or the submitted samples are not to be used by a child of less than three years of age.



## TEST REPORT

Report No : A32002184(9)

Date: 2026-03-19

Application No : L3201521(3)

Test Result :

### II. Canada Consumer Products Containing Lead Regulations SOR/2018-83

Test Method : As per method C02.2.2, C02.3.2, C02.4.1, published in Health Canada Product safety reference manual Book 5 – Laboratory Policies and Procedures Part B: test methods section, by acid digestion was used and toxic elements content were determined by Inductively Coupled Plasma Optical Emission Spectrometer/ Atomic Absorption Spectrophotometry

<u>Test Item</u>	Total Lead
Maximum permissible limit (mg/kg)	90
Test Part(s)	Test Result (mg/kg)
1+7	<10
2+3	<10
4	<10
5	<10
6	<10
8+9	<10
10+15	<10
11	<10
12	<10
13	<10
14	<10
16	<10
17	<10
18	<10
19+20	<10

Note : • < denotes less than



## TEST REPORT

Report No : A32002184(9)

Date: 2026-03-19

Application No : L3201521(3)

Test Result :

### III. Canada Surface Coating Materials Regulations SOR/2016-193 and its amendment SOR/2022-122

Test Method : As per method C02.2.2, published in Health Canada Product safety reference manual Book 5 – Laboratory Policies and Procedures Part B: test methods section, by acid digestion was used and toxic elements content were determined by Inductively Coupled Plasma Optical Emission Spectrometer/ Atomic Absorption Spectrophotometry

<u>Test Item</u>	<u>Total Lead</u>
Maximum permissible level (mg/kg)	90
<u>Test Part</u>	<u>Test Result (mg/kg)</u>
4	<10
5	<10
6	<10
12	<10
18	<10

Note : 

- < denotes less than
- Results were based on dry weight of samples

### IV. Canada Phthalates Regulations SOR/2016-188 Section 2 and 3

Remark : Not Applicable

There is no test on the submitted samples according to Canada Phthalates Regulations SOR/2016-188 Section 2 and 3 for vinyl in a toy or child care article because there is no vinyl material found in the submitted samples.

Unless otherwise stated, the decision rule for conformity reporting is based on Binary Statement for Simple Acceptance Rule ( $w=0$ ) stated in ILAC-G8:09/2019/CNAS GL015:2022.

## TEST REPORT

Report No : A32002184(9)  
Application No : L3201521(3)

Date: 2026-03-19

### Appendix



Sample A



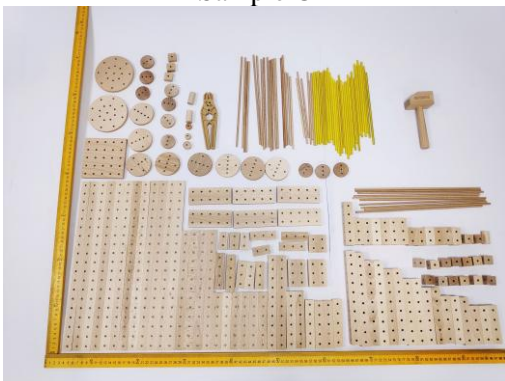
Sample B



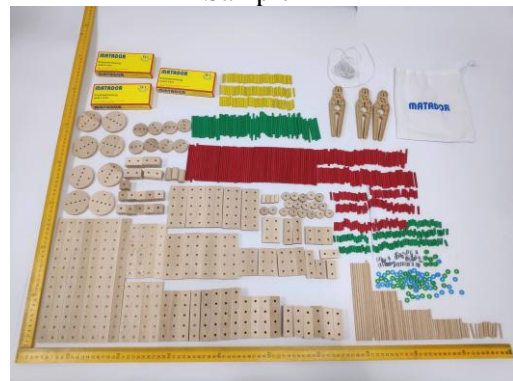
Sample C



Sample D



Sample E



Sample F



## TEST REPORT

Report No : A32002184(9)  
Application No : L3201521(3)

Date: 2026-03-19

### Appendix

- Test Part(s) :
1. Brown plastic (pliers, sample A~F)
  2. Pale brown and brown wood (building blocks and hammer, sample A~ F)
  3. Ivory and pale brown wood (axis, sample A~ F)
  4. Red coating (axis, sample A~ F)
  5. Green coating (axis, sample A~ F)
  6. Yellow coating (axis, sample A~ F)
  7. Green plastic (ring, sample A~ F)
  8. Blue plastic (ring, sample A~ F)
  9. White plastic (elastic cord, sample A~F)
  10. White fabric (elastic cord, sample A~ F)
  11. Silvery metal (clip, sample A~ F)
  12. Multi-color coatings (instruction book, sample A~ F)
  13. White paper (instruction book, sample A~ F)
  14. Silvery metal (staple of instruction book, sample A~ F)
  15. White fabric (string, sample E)
  16. Silvery metal (rivet, sample F)
  17. Silvery metal (plate, sample F)
  18. Blue coating (bag, sample A~ F)
  19. White fabric with white thread (main body of bag, sample A~ F)
  20. White fabric (string of bag, sample A~ F)

\*\*\*\*\* End of Report \*\*\*\*\*

Made in Austria  [www.matador.at](http://www.matador.at)

LOT: P02011099

Matador Spielwaren Ges.m.b.H., Sportplatzstraße 21, 3385 Markersdorf, Austria

35+ MODEL  
IDEAS  
INCL. ↑

99 TEILE • PIÈCES  
PIEZAS • STUKS  
PEZZI • PIÉZES



Achtung!  
Warning!  
Attention!  
Waarschuwing!  
Avvertenza!  
¡Advertencia!



**D:** Farbliche und technische Änderungen bleiben vorbehalten. **ACHTUNG!** Nicht für Kinder unter drei Jahren geeignet. Es besteht Erstickenungsgefahr wegen verschluckbarer Kleinteile!

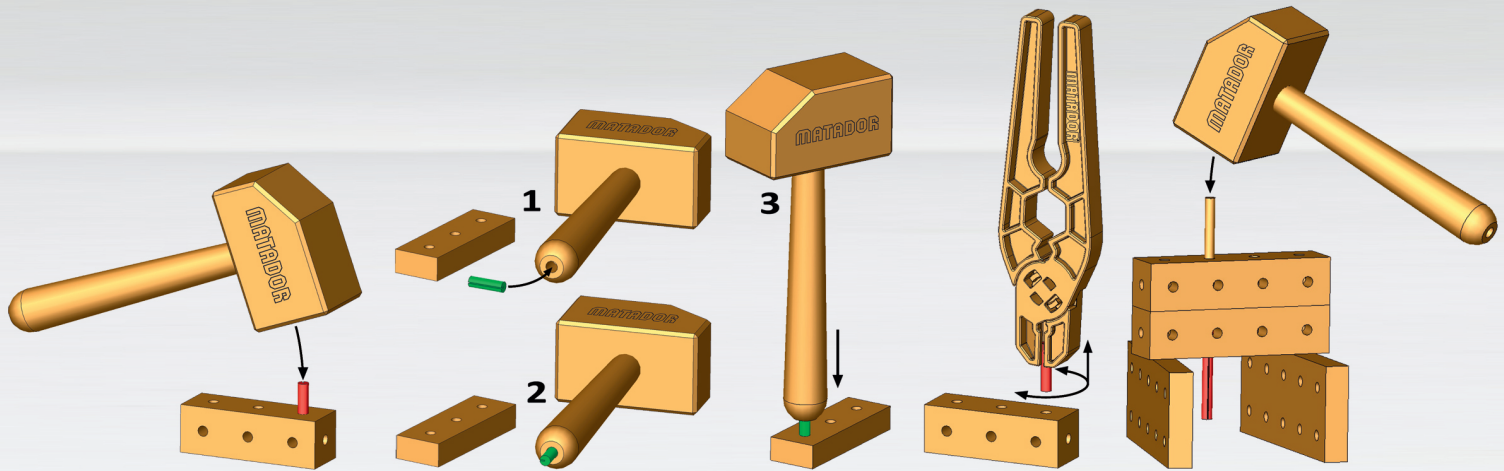
**GB:** Subject to technical change and change of color. **WARNING!** Not suitable for children under three years. Risk of choking due to small parts that may be swallowed!

**F:** Sous réserve de modifications techniques et relatives aux couleurs. **ATTENTION!** Ne convient pas aux enfants de moins de trois ans. Danger d'étouffement avec les petites pièces pouvant être avalées!

**I:** Con riserva di possibili cambiamenti tecnici e di colore. **AVVERTENZA!** Non adatto a bambini di età inferiore a tre anni. Pericolo di soffocamento a causa di pezzi piccoli ingeribili!

**E:** Kleuren technische veranderingen voorbehouden. **WAARSCHUWING!** Niet geschikt voor kinderen jonger dan drie jaar. Er bestaat gevaar voor verstikking vanwege kleine stukjes die ingeslikt kunnen worden!

**NL:** Reservado el derecho de modificaciones técnicas y de color. **¡ADVERTENCIA!** No conviene para niños menores de tres años. Existe peligro de asfixia porque hay piezas pequeñas que pueden ser tragadas.



**D: ACHTUNG!** Nicht für Kinder unter 3 Jahren geeignet: verschluckbare Kleinteile – Erstickungsgefahr // Die Klemmhülsen weisen zweckbedingt scharfe Grate auf, was bei falscher Handhabung zu kleinen Schnittverletzungen führen kann. Daher müssen Kinder vor Verwendung des Spielzeuges auf diese Gefahr hingewiesen werden.

**GB: ATTENTION!** Not suitable for children under 36 months due to small pieces which may present a choking hazard - danger of suffocation // The clamping sleeves exhibit functionally sharp burrs, which can lead during wrong handling to small cuts. Therefore must be referred children before use of the toy to this danger.

**F: ATTENTION!** Ne convient pas aux enfants de moins de 36 mois - contient des petits éléments. - danger d'asphyxie // Les fixations, pour remplir leur fonction, présentent des angles vifs; en cas de mauvaise utilisation, elles peuvent générer des coupures bénignes. Attirez donc l'attention des enfants sur ce danger avant utilisation.

**I: ATTENZIONE!** Non adatto a bambini di età inferiore a 3 anni - contiene parti piccole - pericolo di soffocamento. - il pericolo dell'asfissia // I serrafilo per via della loro funzione hanno i margini non arrotondati; un uso non attento potrebbe provocare piccoli tagli. Perciò avvertite i bambini di questo pericolo prima dell'utilizzo del gioco.

**NL: WAARSCHUWING!** Niet geschikt voor kinderen jonger dan 36 maanden - kleine onderdelen - verstikking // De klemhulzen hebben door het doel waarvoor ze bestemd zijn scherpe randen, hetgeen bij verkeerd gebruik kleine snijwonden tot gevolg kan hebben. Om deze reden dienen kinderen hierop attent te worden gemaakt voordat het speelgoed wordt benut.

**E: ADVERTENCIA!** No es conveniente para ni os menores de 36 meses - pequeñas piezas - asfixia // Las boquillas de sujeción de acuerdo a su finalidad presentan bordes afilados, lo que en caso de manejo inadecuado puede ocasionar pequeñas heridas incisas. Antes de usar los juguetes advertir a los niños sobre este peligro.

**SLO: POZOR!** Ni primerno za otroke, mlajše od 3 let, saj vsebuje drobne delce, ki jih otrok lahko pogoltne ali vdahne. // Vpenjalni tulci so funkcionalno ostri, ki lahko med napačnim ravnanjem vodijo do majhnih rezov. Zato je treba otroke pred uporabo igrace napotiti na to nevarnost.

**HU: FIGYELEM!** Három évesnél fiatalabb gyermekek számára nem alkalmas. A lenyelhető apró alkatrészek miatt fulladásveszély áll fenn! // A szorító hüvelyek funkcionálisan éles sorjakat mutatnak, amelyek a helytelen kezelés során kisebb vágásokhoz vezethetnek. Ezért a játék használatá előtt a gyermekeket erre a veszélyre kell irányítani.



## MATADOR Ersatzteilservice

Bauteil verloren? -Kein Problem!

Der MATADOR - Kundenservice ist auch nach dem Kauf für Sie da! Bei der Entwicklung und Produktion unserer Produkte stehen bei uns die Qualität und die Kundenzufriedenheit an erster Stelle. Besuchen Sie auch unseren Online-Shop!

## MATADOR spare parts service

Lost parts? -No problem!

The MATADOR customer service is also available after your purchase! In the development and production of our products, the quality and the customer- satisfaction are the most important things for us. Visit our Online Shop!

MADE IN AUSTRIA