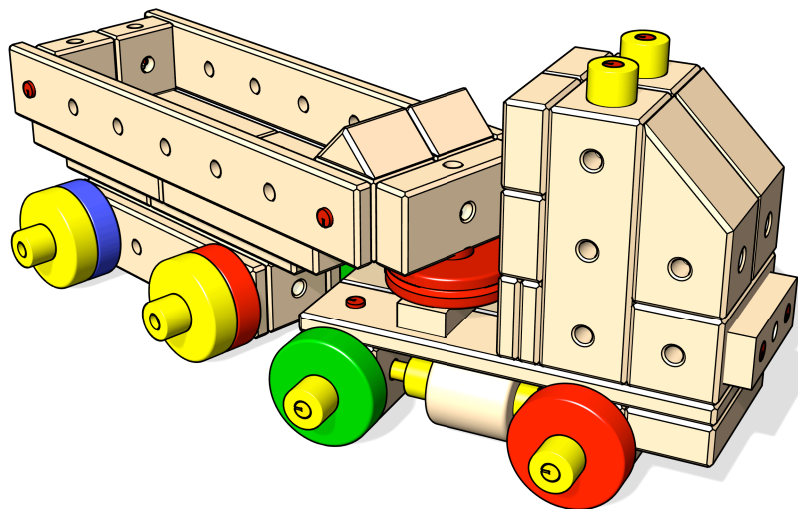
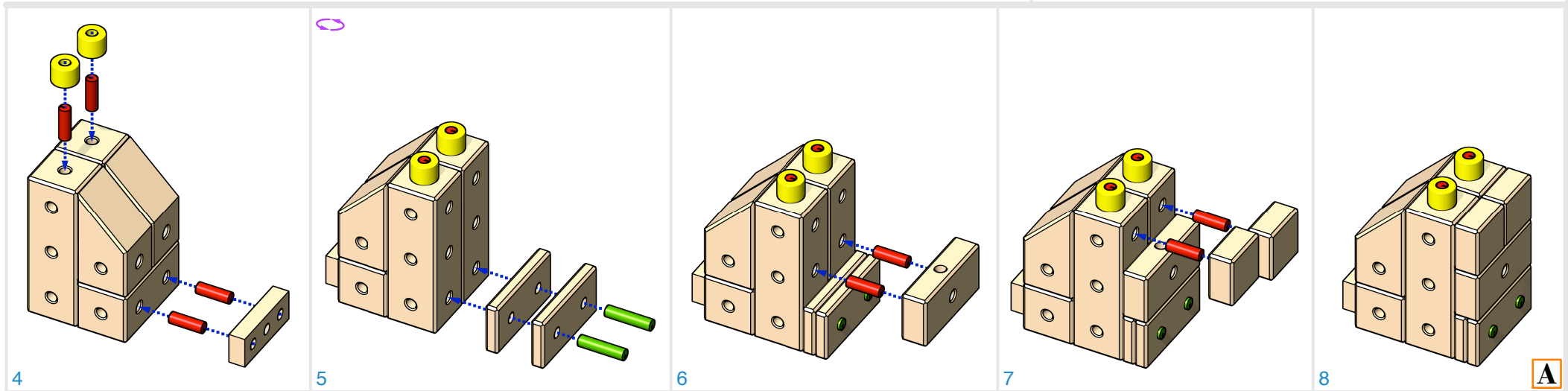
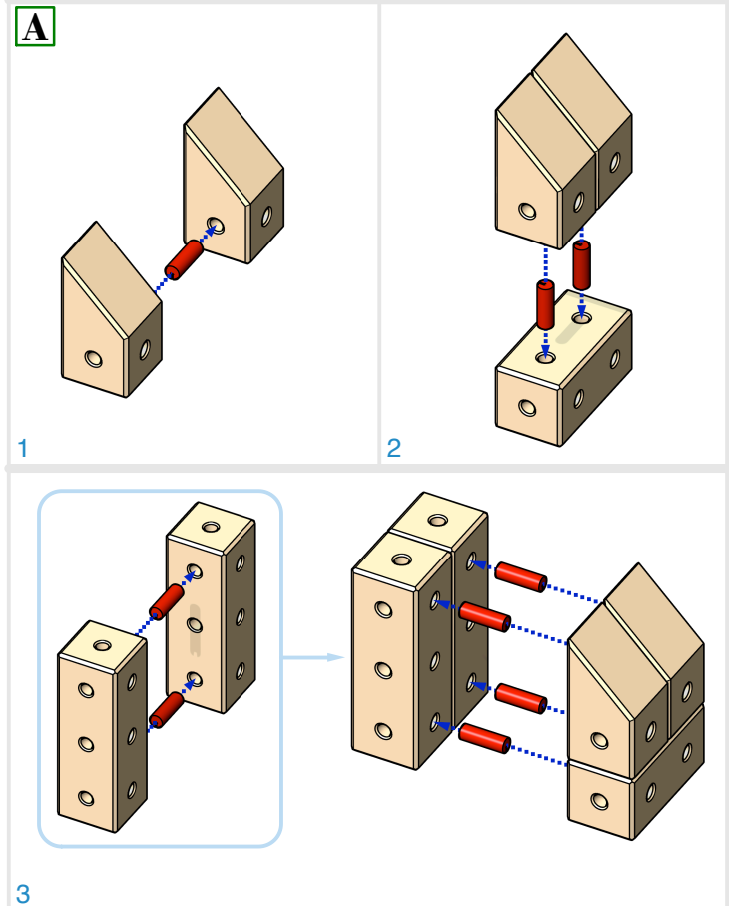


417 Sattelschlepper / Semi-trailer Truck

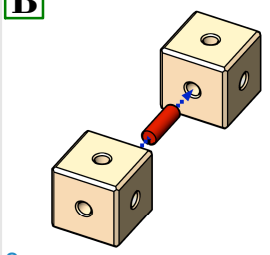
LEVEL von Margareta Wagner und Thomas Öllinger



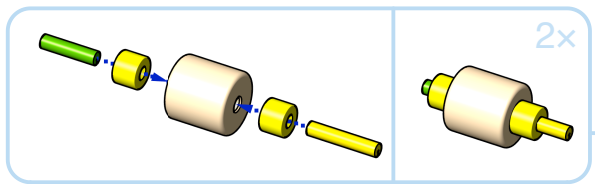
- | | |
|----|-----|
| 2x | 2x |
| 2x | 2x |
| 2x | 2x |
| 1x | 2x |
| 2x | 2x |
| 4x | 3x |
| 2x | 3x |
| 2x | 3x |
| 1x | 3x |
| 2x | 14x |
| 2x | 1x |
| 2x | 1x |
| 2x | 43x |
| 2x | 9x |
| 2x | 7x |
| 2x | 4x |
| 2x | |



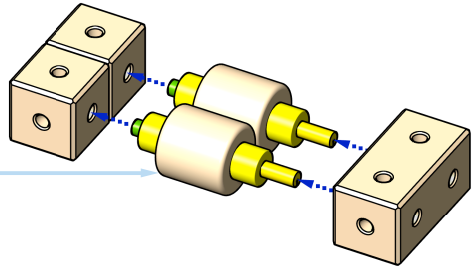
B



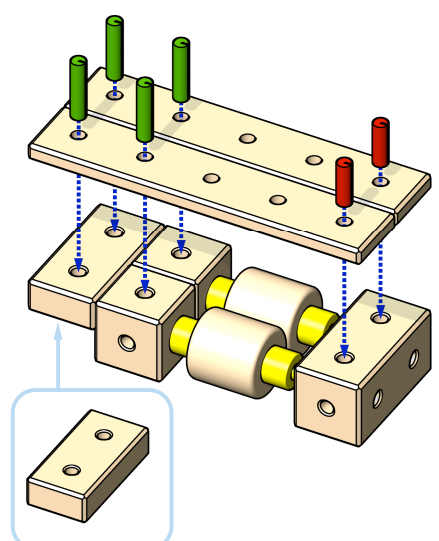
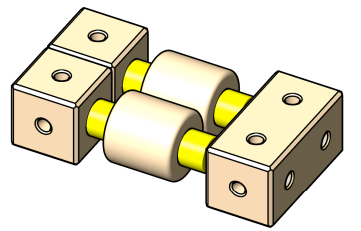
9



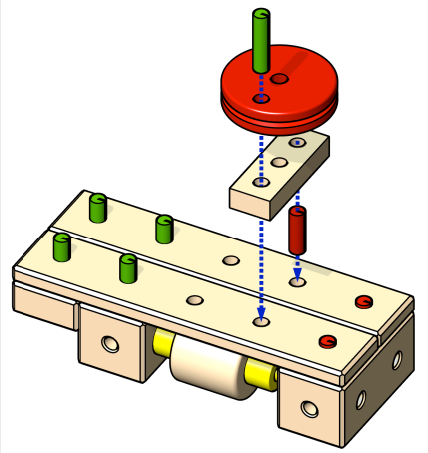
10



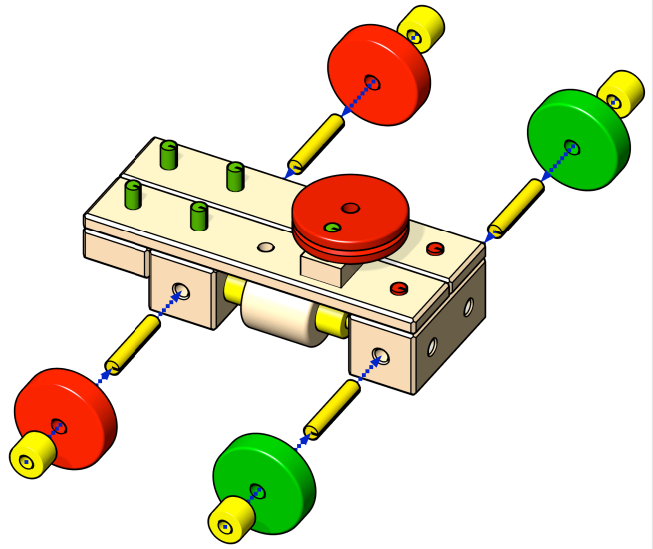
11



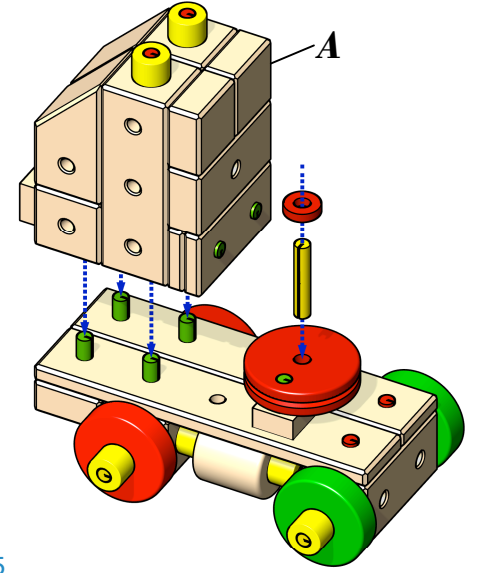
12



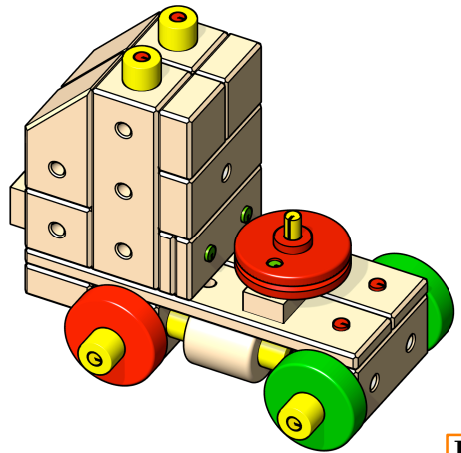
13



14

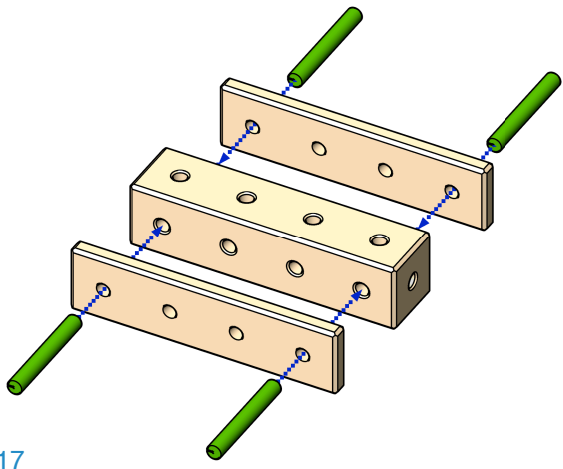


15

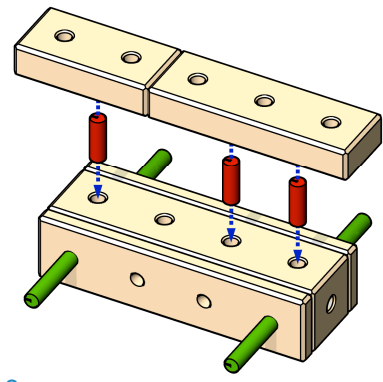


16

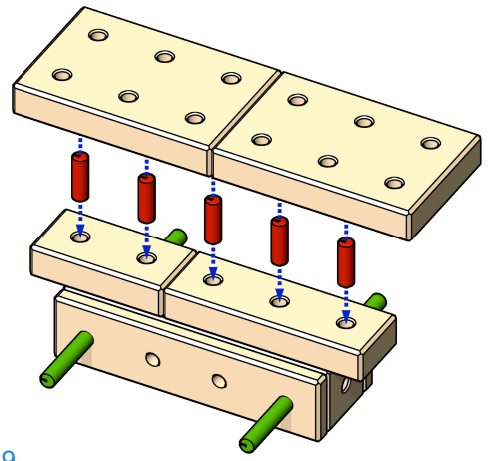
B



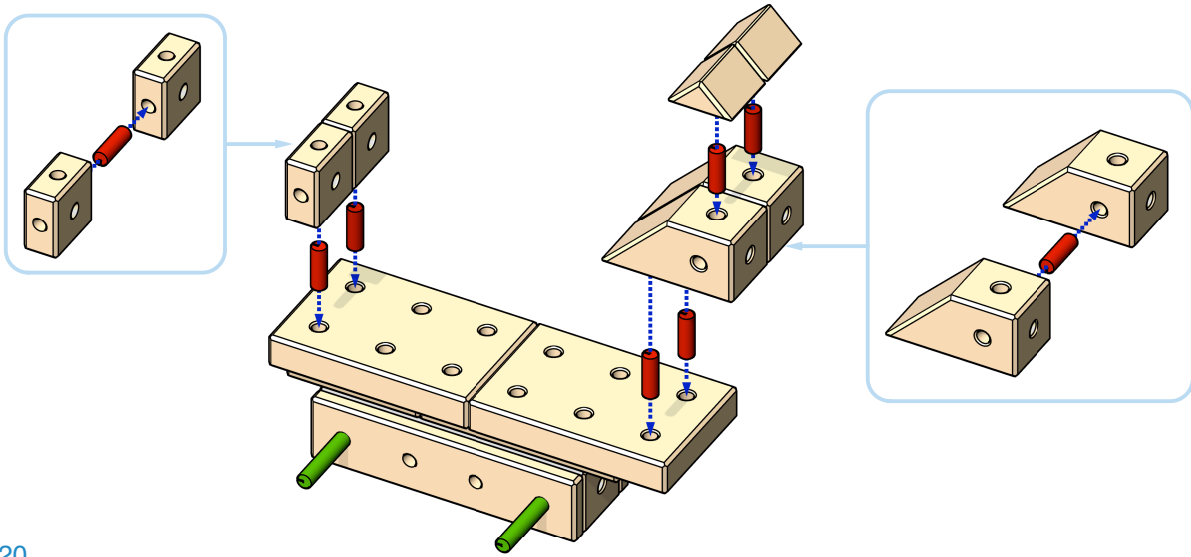
17



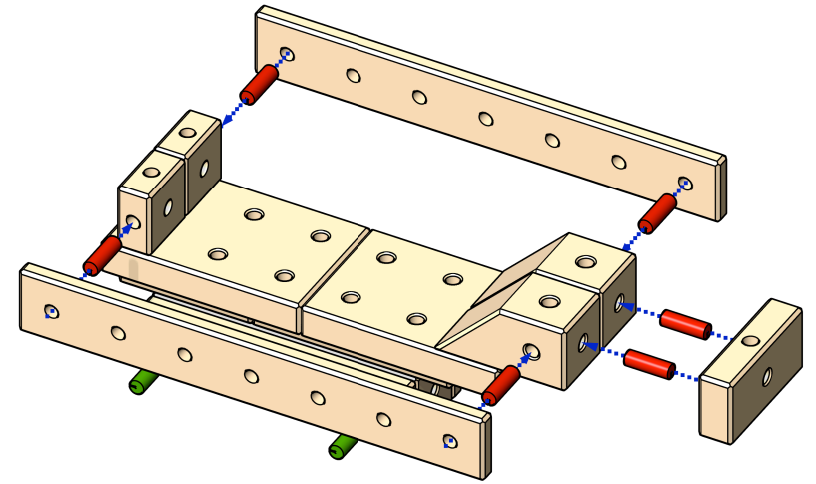
18



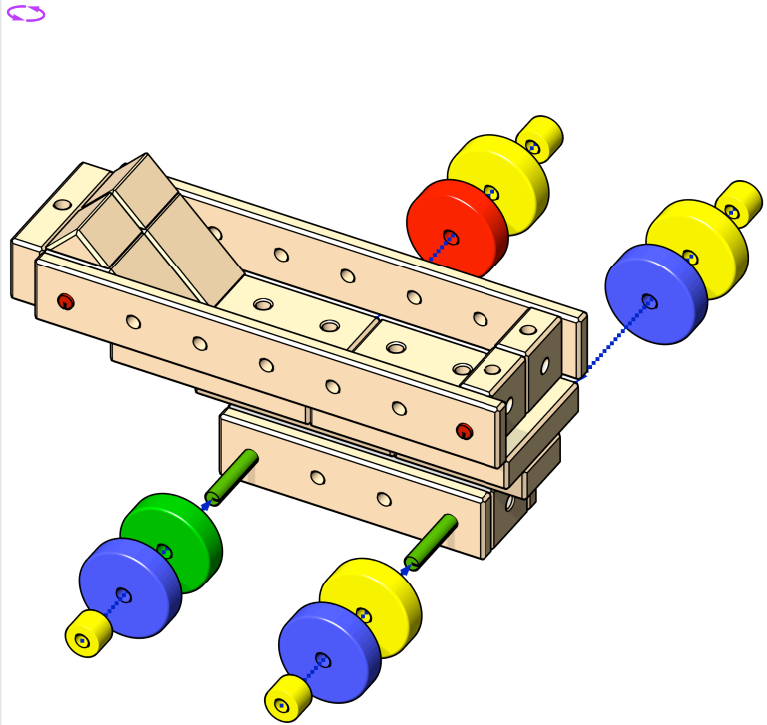
19



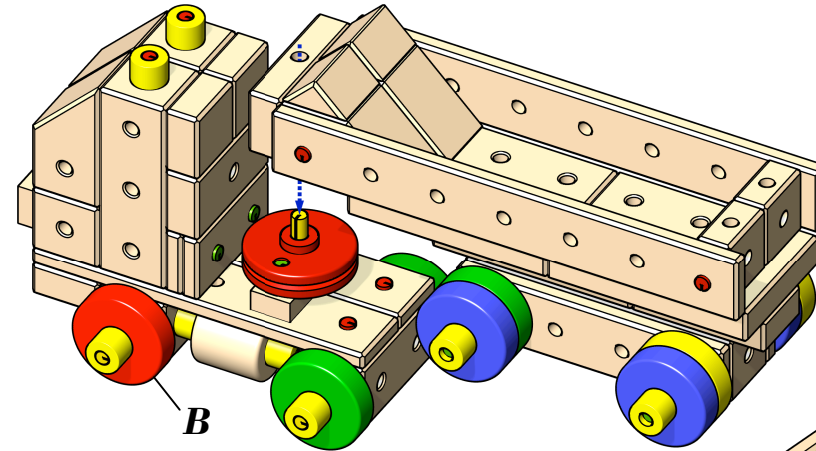
20



21



22



23

