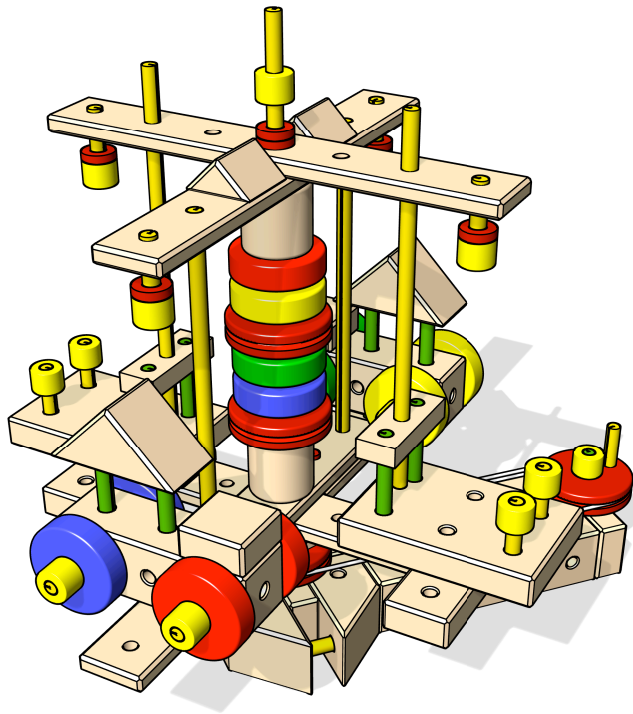
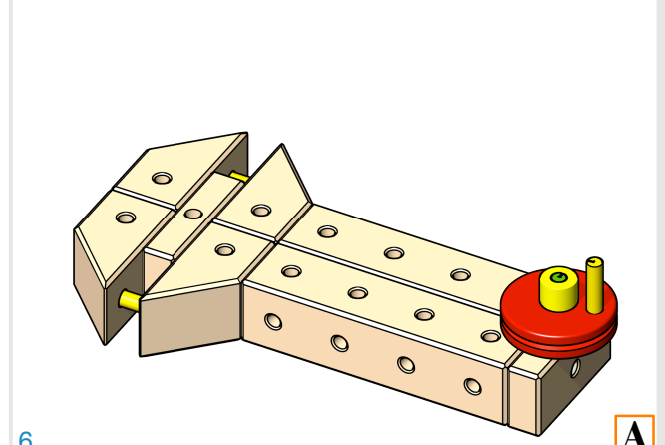
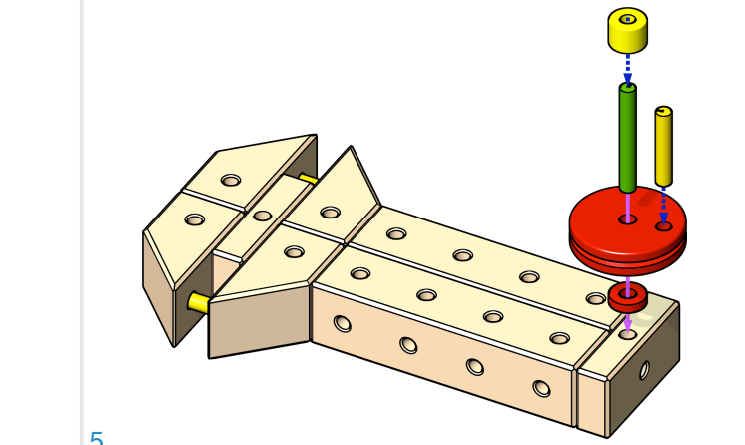
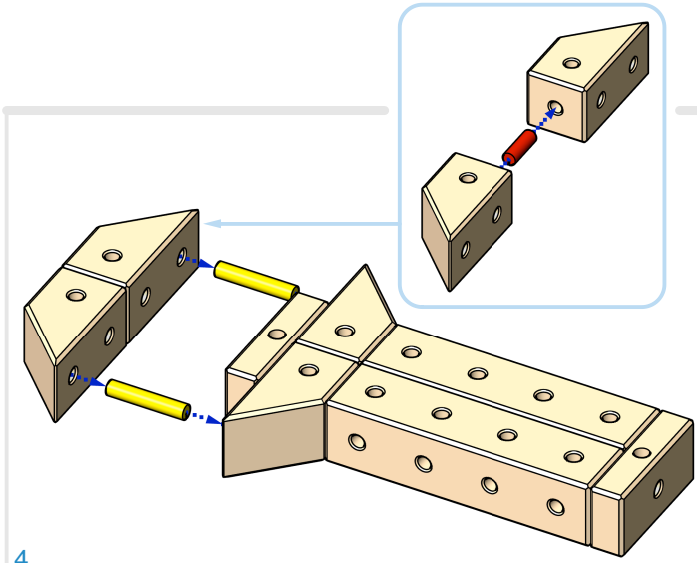
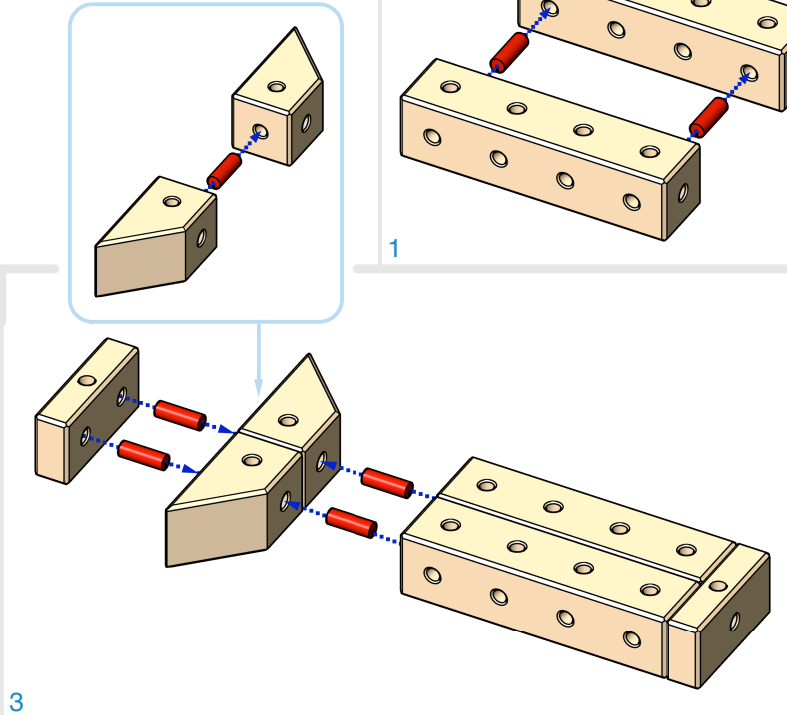
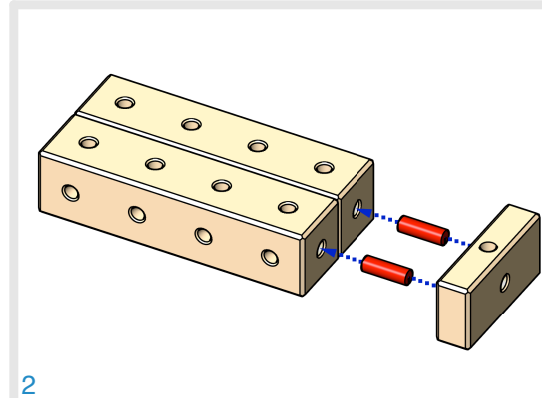
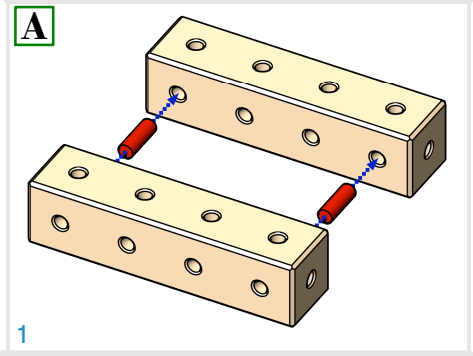


416 Karussell / Roundabout

LEVEL



- 2x 3
- 2x 4
- 2x 7
- 2x 1/2
- 2x 2/2
- 4x 1/2
- 2x 1
- 2x 3
- 2x 6
- 2x 2
- 2x 4
- 2x 5
- 2x 7
- 16x 16x
- 6x 6x
- 19x 19x
- 9x 9x
- 2x 2x
- 1x 1x
- 4x 4x
- 1x 1
- 2x 2
- 2x 3
- 2x 6
- 2x 2x
- 3x 3x
- 3x 3x
- 18x 18x
- 14x 14x
- 3x 3x
- 3x 3x
- 4x 4x
- 1

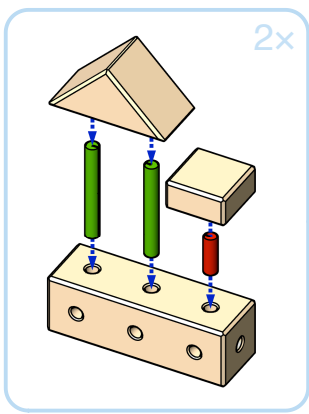


4

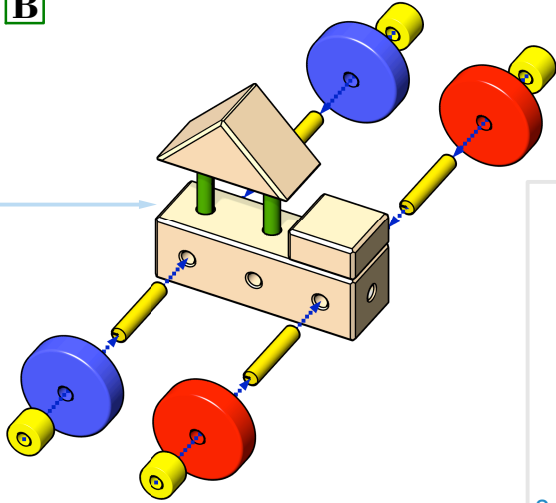
5

6

A

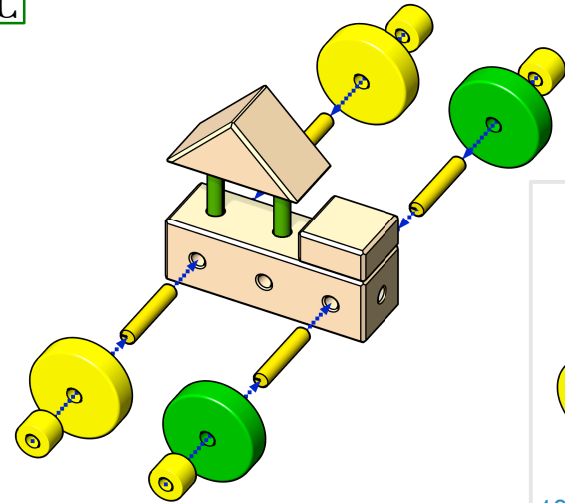


B

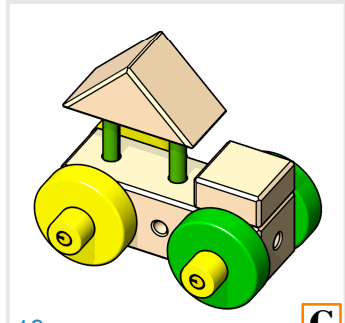


8

C

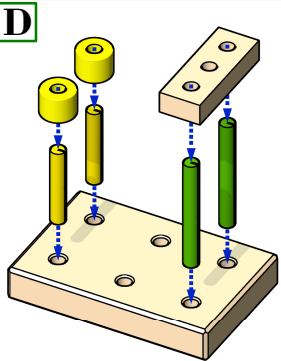


9



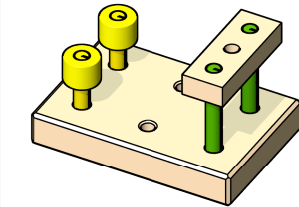
C

7

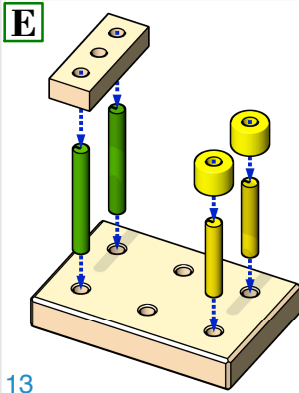


11

D

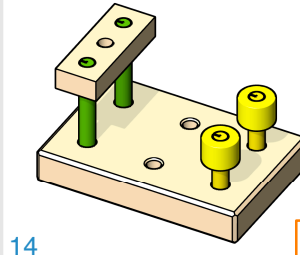


12



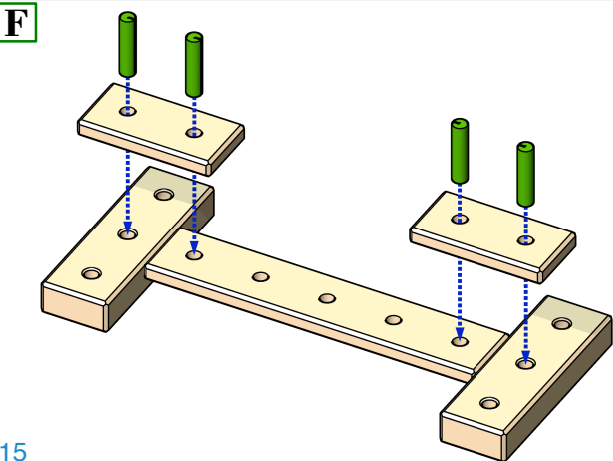
13

D

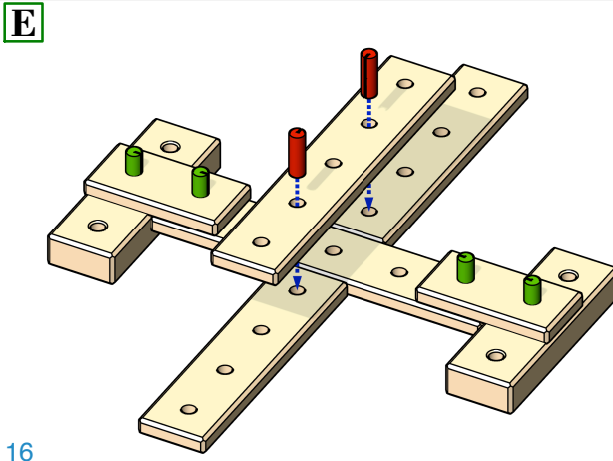


14

E

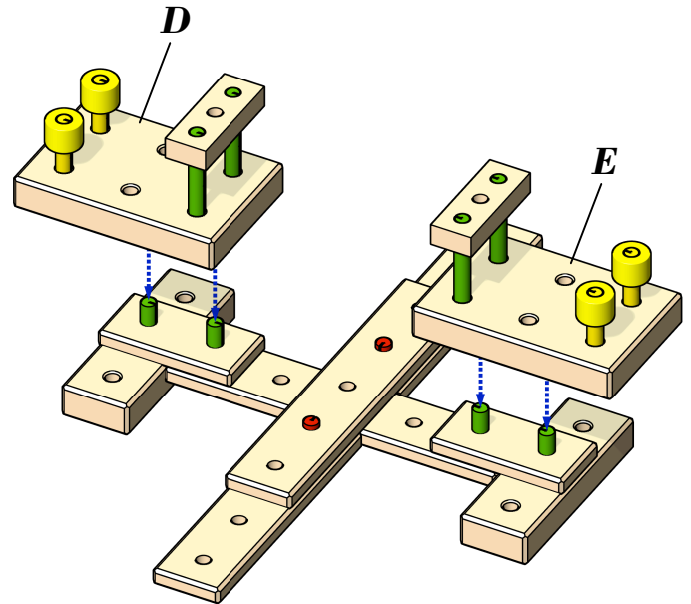


15

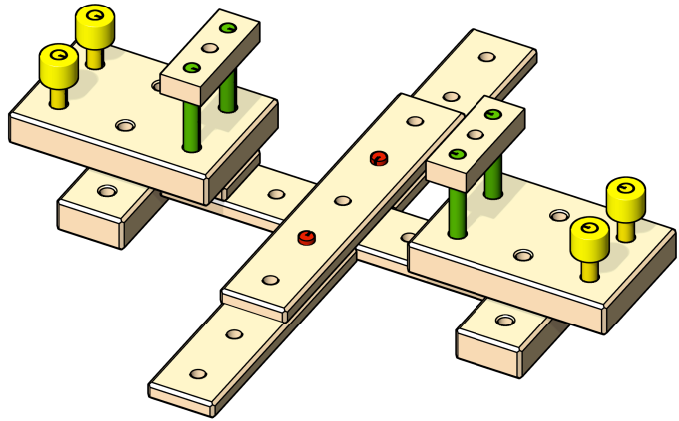


16

E

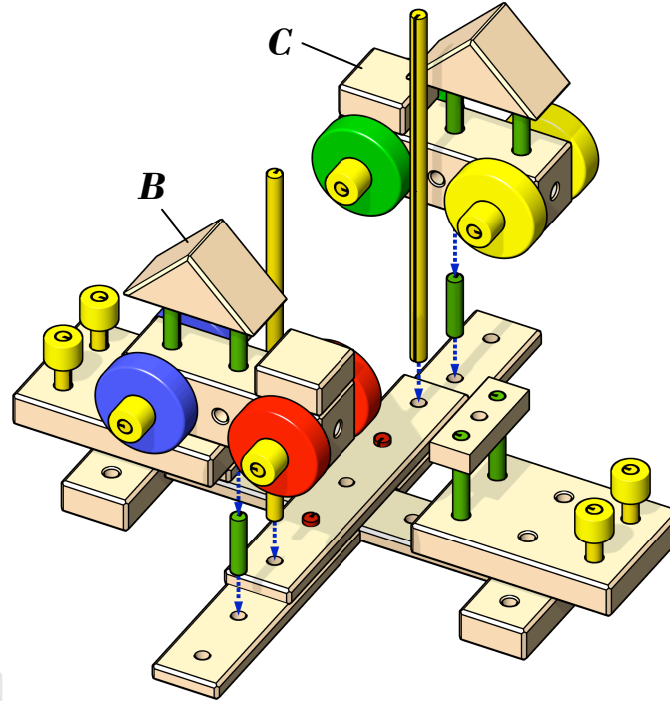


17

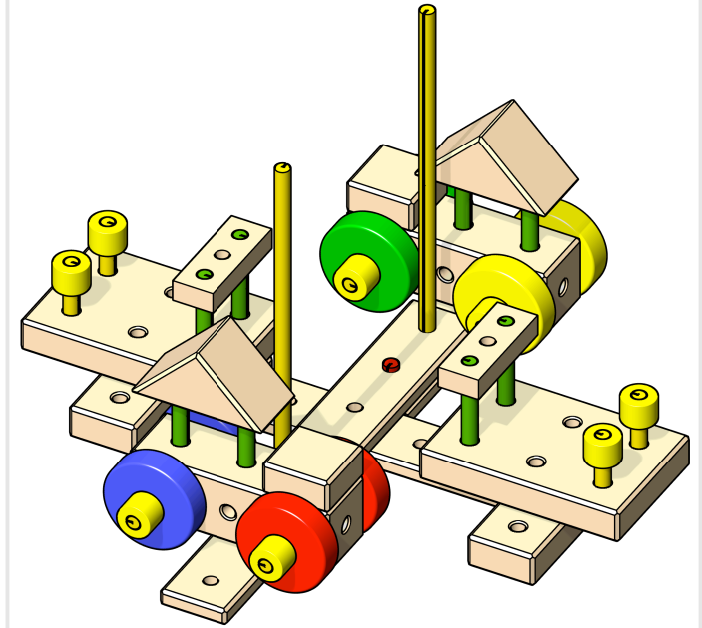


18

G

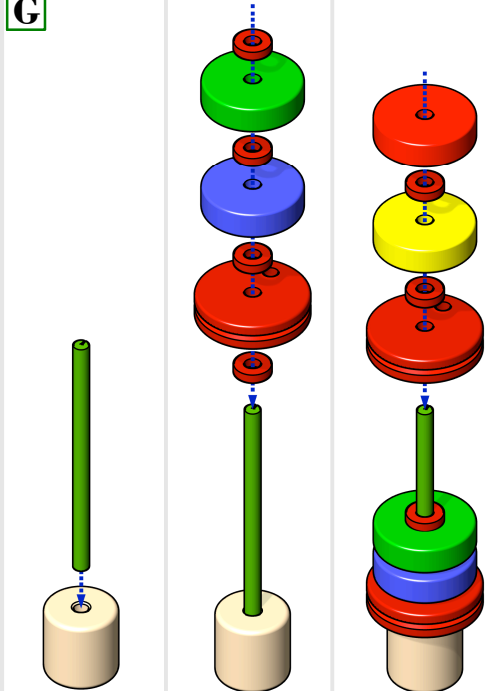


19



20

F



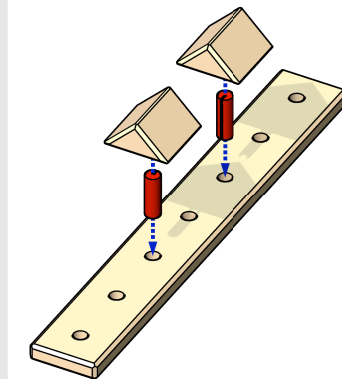
21

22

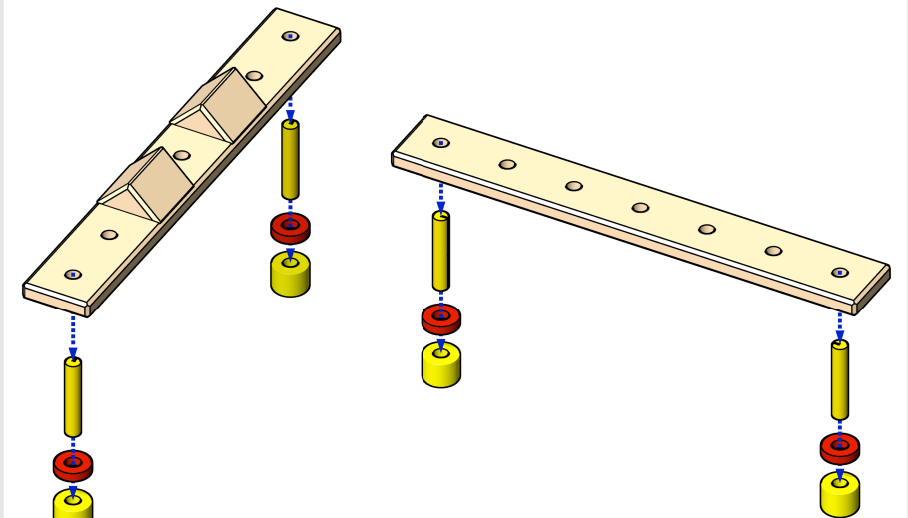
23

24

G



25



26

