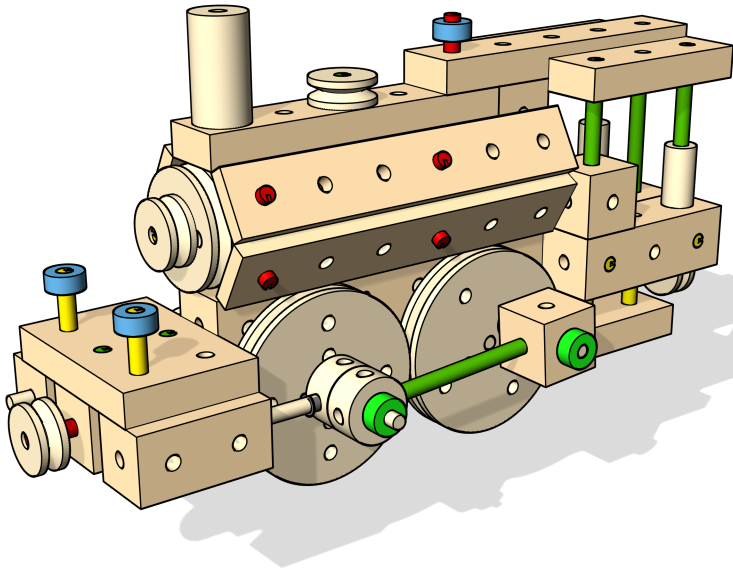
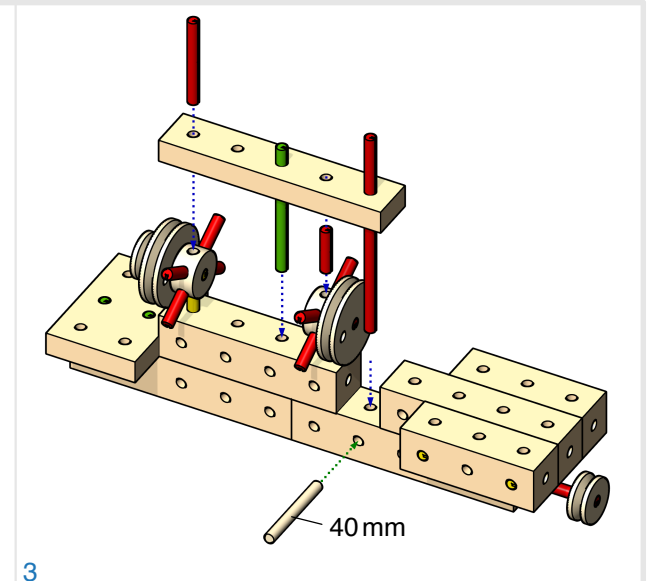
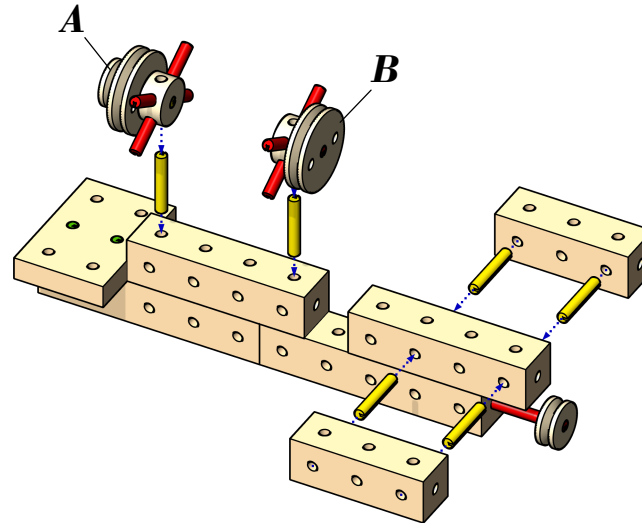
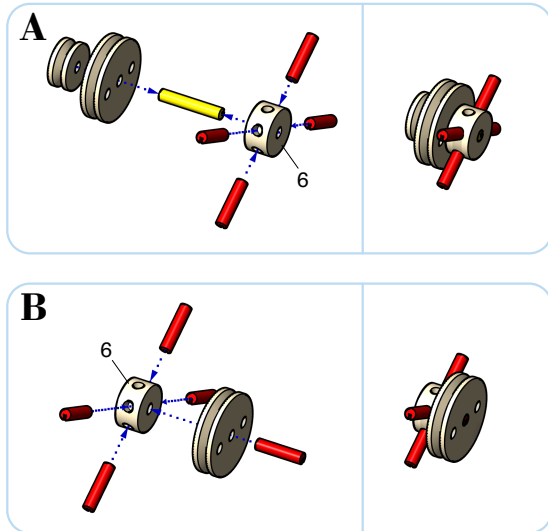
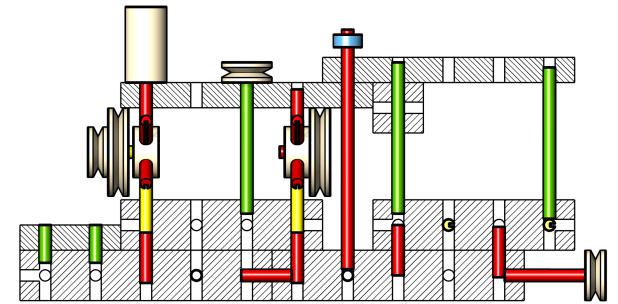
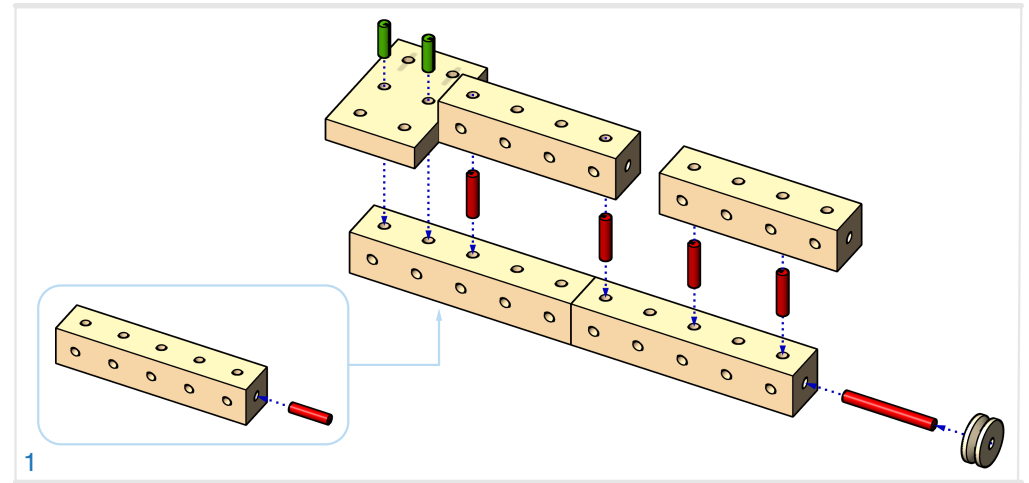


206 Dampflokomotive / Steam Locomotive

LEVEL

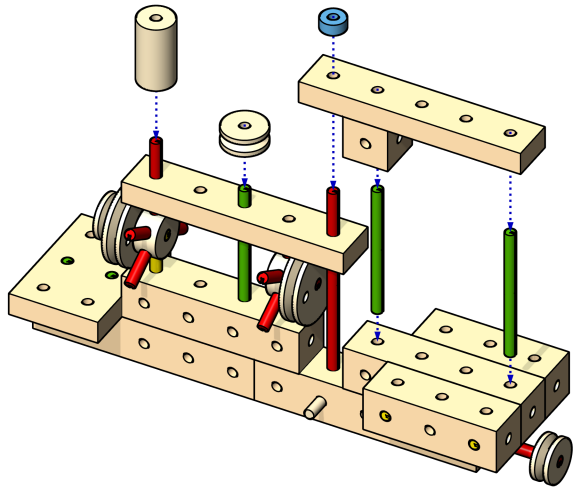


- 5x 1
- 2x 2
- 2x 3
- 2x 4
- 2x 5
- 2x 2
- 2x 3
- 2x 5
- 1x 6
- 4x 6
- 4x 1
- 2x 2
- 4x 3
- 4x 4
- 2x 6
- 1x 6
- 2x 30 mm
- 5x 5x
- 13x 40 mm
- 4x 40 mm
- 4x 4x
- 2x 60 mm
- 2x 60 mm
- 10x 10x
- 2x 2x
- 9x 9x
- 1x 1x

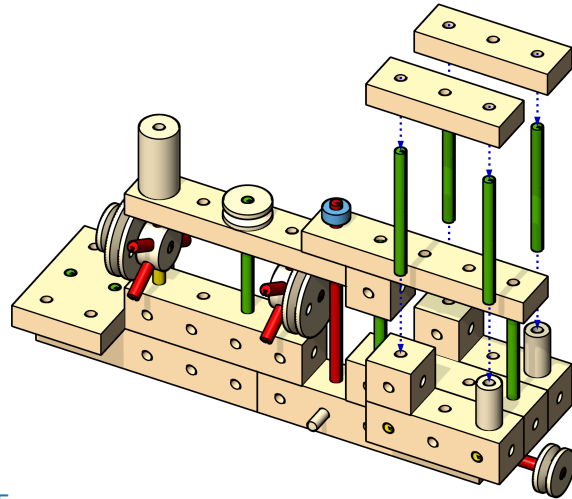


2

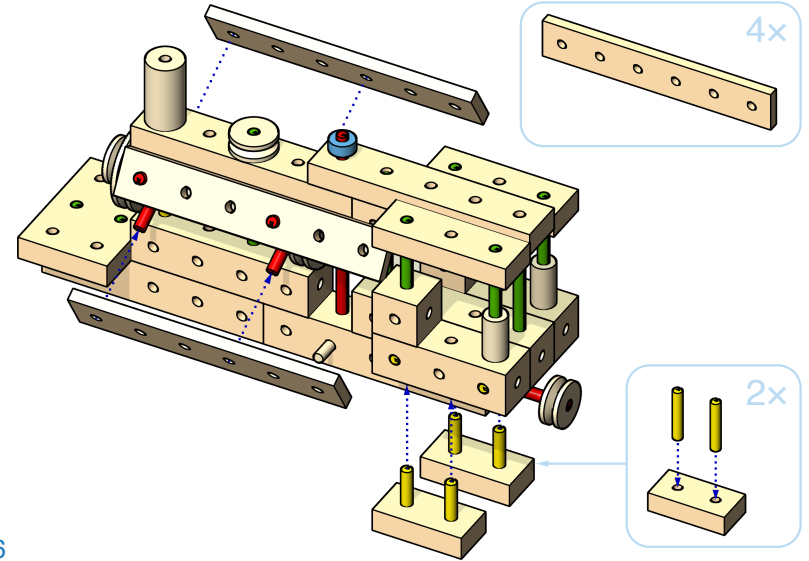
3



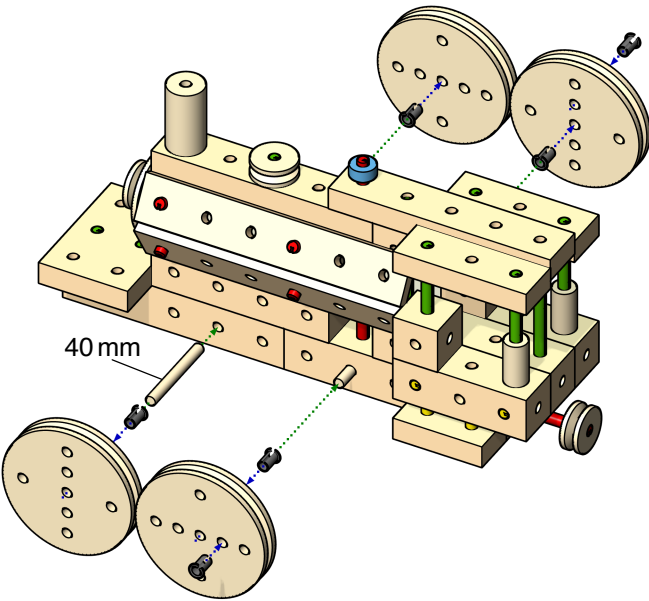
4



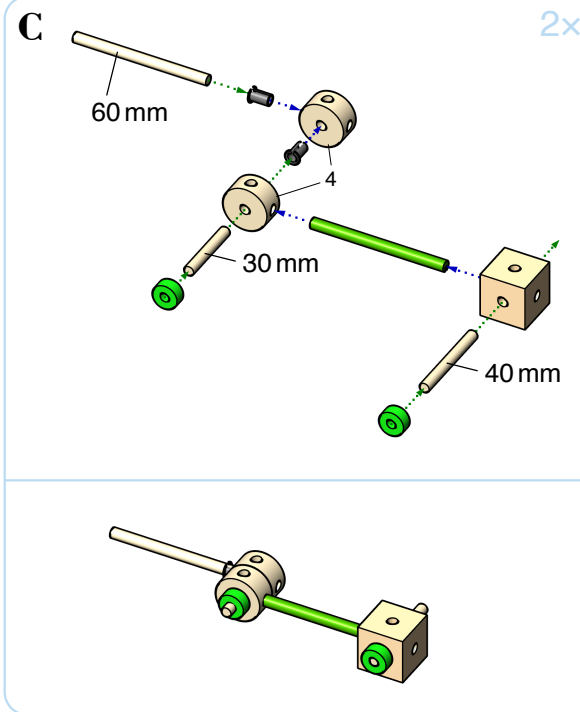
5



6



7



8

